

564 Diamond-Fyre Gas Fireplace



Introducing the contemporary 564 Diamond-Fyre™ with GreenSmart™ Technology

The 564 Diamond-Fyre does not utilize logs and embers. Instead, a sleek black enamel fire container holds the dancing flames. Glowing crushed glass, lit from below with the standard accent lights, surrounds the fire and sparkles with tiny reflections of the flames. Firebacks are required, and you can choose the black painted fireback or opt for the brushed stainless steel fireback which reflects the ever-changing flames creating the illusion of multiple fires. Select from three colors of glass media for the firebox floor - Platinum (white), Cobalt (blue) or Bronze for your own customized display.

The 564 Diamond-Fyre will heat an area of 950 square feet with a maximum input of 20,500 Btus. The turn-down ratio of 75% to a low input of 5,100 Btus with natural gas or 4,200 Btus with propane allows great flexibility for year-round use. The Split-Flow ribbon burner allows the left and right sections to be shut off leaving only the center portion lit for times when the mood calls for a fire but the comfort level does not require a large heat output.

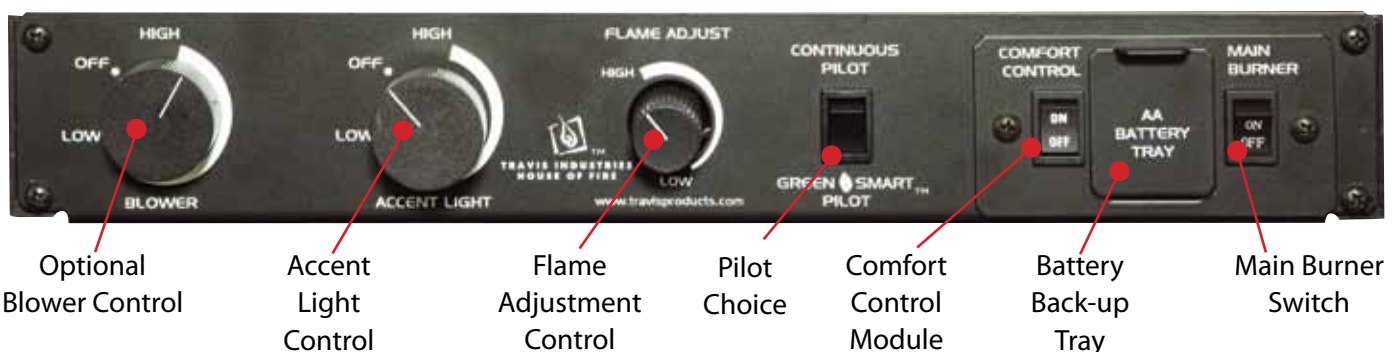
GreenSmart Features

- Choice of pilot ignition modes - GreenSmart™ Electronic Ignition for instant fire when you want it or Standing Pilot for colder climates where a heated chimney is needed to maintain the draft.
- Comfort Control™ that allows you to turn off the side burners for less heat when desired for year-round enjoyment of the fire.
- Accent lighting shines up through the glass adding drama with the flame on or off.
- Concealment panel hides controls so they do not detract from beauty of the fireplace.
- 9 volt battery powered LED lit control panel automatically lights up when you lower the front access panel - operates even during power outages.
- Optional GreenSmart Remote Control gives you the choice of manual, thermostat or the very efficient "Smart" thermostat. Plus the ability to operate the accent light, flame adjustment, Comfort Control™ and optional blower without getting up from your chair!

Standard Features

- Heater rated fireplace. Heats up to 950 sq. ft. Ideal for moderate homes or zone heating a portion of the house.
- LP Conversion kit included with fireplace at no additional cost.
- Linear, two-stage burner features tall flickering flames surrounded by a bed of under lit glass media.
- Choice of three colors of glass floor media - Platinum, Bronze or Cobalt Blue.
- Choice of black painted or stainless steel interior liners.
- Easy Heat/Flame Adjustment with a large high-to-low flame turndown ratio - up to 75%.
- Built-in battery backup allows continued operation of your gas stove during power outages. Automatically switches back to AC when the power comes back on.
- Optional 150 CFM Convection Blower will increase the efficiency and rate of heat transfer from the fireplace into your home.

Control Panel





*Shown with black painted Metropolitan face
and Stainless Steel Interior and Platinum
glass options*



Shown with brushed nickel Shadow Box, brushed nickel glass trim option and Platinum glass media.

Shadow Box Face

Your fireplace can say a lot about you! With the new Shadow Box face, your 564 DF fireplace will say Bold! Elegant! Innovative! Tasteful!

The Shadow Box face projects 3 1/2" out from your fireplace facing in multiple levels creating a frame for the delightful fire. The Shadow Box conceals the convection openings and the controls to give the fireplace a linear, contemporary appeal. The face is available with a subtle reverse bevel in either bold brushed nickel or sleek brushed satin black, layered with a subtle bevel on top of a black painted frame. This combination defines contemporary elegance.

Concealed manual controls are within easy reach to activate the flames, adjust the interior light level or change the convection blower output to your desired mood or comfort zone. Upgrade to a full function hand-held GreenSmart remote if you wish.

Add optional brushed nickel glass trim for an additional accent. Face is 45 1/4"W x 32 1/4"H.

Brushed Black Satin Shadow Box Face



Brushed Nickel Shadow Box Face



Note: When installed, there is a one inch space between the hearth and the lower edge of the face.

Studio Surround Trim

The Studio surround trim option fits around the perimeter of the fireplace face framing the 564 Diamond-Fyre like a beautiful picture. Studio surround trim is available in three-piece (for hearth mount) or four-piece (for wall mount) installations.



Brushed Black Satin Studio Surround Trim



Brushed Nickel Studio Surround Trim



Shown with brushed nickel Studio surround trim, basic black louvers and platinum glass media

Basic Face

Faces are 36 1/4"W x 30 1/4"H



with Black Louvers



with Nickel Louvers



with Classic Grill
(with Arched Trim)



with Classic Grill
(with Arched Trim removed)

Classic Arch™ Collection

Faces are 36 1/8"W x 29 1/16"H



Black Painted



Brushed Nickel

Metropolitan™ Collection

Faces are 36 1/8"W x 29 1/16"H



Black Painted



Brushed Nickel

Artisan™ Collection

Faces are 36 1/8"W x 29 1/16"H



Hand-Hammered
Black Painted



Hand-Hammered
Antique Nickel



Hand-Hammered
Antique Copper

French Country™ Collection

Faces are 36 1/8"W x 29 1/16"H



Black Painted



Antique Gold



Matrix™

Face is 48 3/8"W x 31"H

The Red details may be painted other colors or removed completely.

Double Door Collection

Architectural™ Double Doors

Doors require backing plate. Antique Nickel, Antique Copper and Antique Gold Onlays available for both rectangular and arched doors. Faces are 36 1/8"W x 29 1/16"H



Rectangular Doors



Arched Doors

Architectural™ Double Door Onlays

Bolts onto the front of the Architectural Double Doors.



Artisan™
Antique Nickel Finish



Arts & Crafts™
Antique Copper Finish



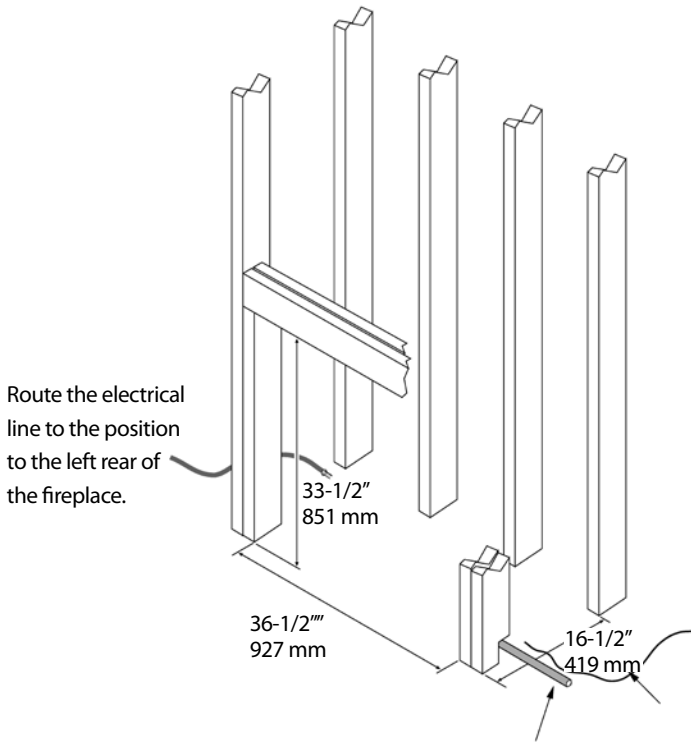
Classic™
Bronze Finish

Installation Specifications

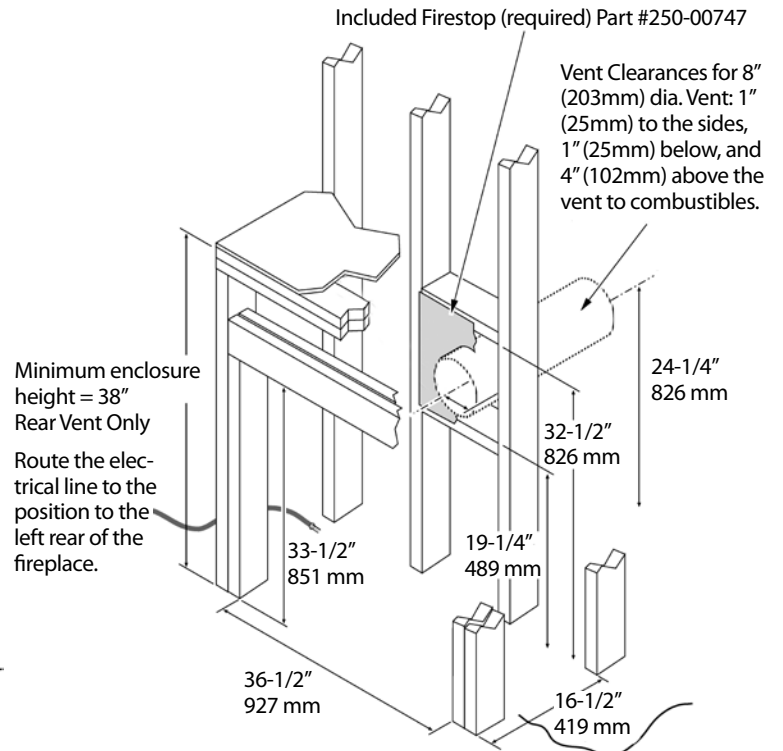
Always refer to the and use the Installation Manual for complete install information.

Minimum Framing Dimensions:

Top Vent



Rear Vent



Hearth Requirements:

A non-combustible hearth extension is not required. However, if the heater is installed next to the floor, we recommend a hearth to protect the flooring surface from discoloration.

Listings:

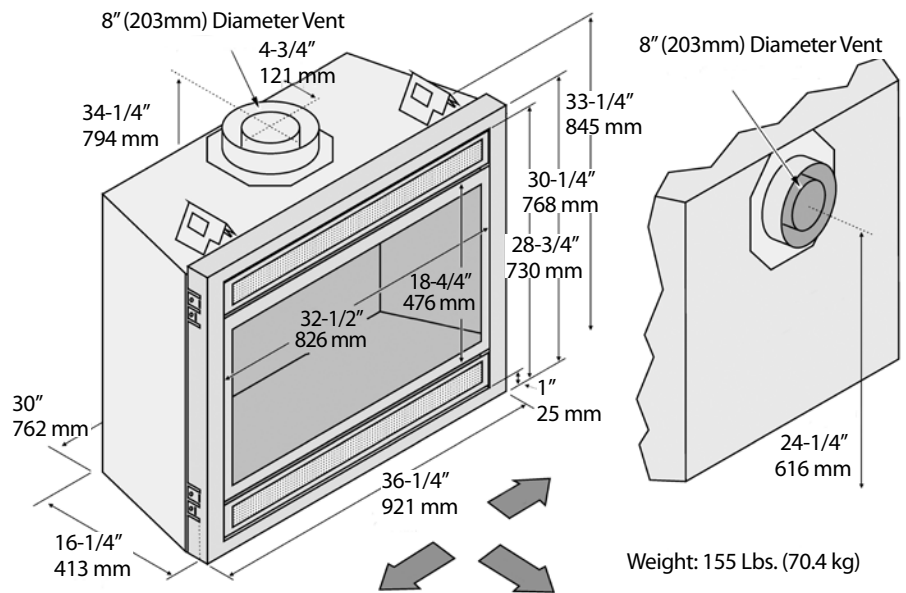
This appliance was listed by OMNI Test Labs to ANSI Z21.88 - report # 028-F-80c-5. The listing label is attached to the appliance near the gas control valve.

IAS (ICBO) Approval

This appliance was listed by OMNI Test Labs - IAS # TL130.

Massachusetts Approval

Submitted to the Massachusetts Board of State Examiners of Plumbers and Gas Fitters



fireplace**xtrordinair**

See our complete line of fireplaces

Visit us online: www.fireplacex.com

Photos and illustrations are for descriptive purposes only. We reserve the right to improve or change our products without prior notification. Diamond-Fyre™ and all other trademarks belong to Travis Industries, inc. Consult the Owner's Manual for complete installation requirements.