

Product Description

- 2-sided design is perfect for counters or as a room divider.
- Patented electric flame technology.
- Realistic flame image, log set and ember bed.
- 120 voltage compatible.
- Operates with flame only or with flame and heat.
- Easily accessible manual controls.
- 3-stage remote control included (flame, flame with half-heat and flame with full-heat).



Built-in 39" 2-sided electric firebox (BF392SD) with swing doors (BFSD00R39BLK)

Specifications for BF392SD Firebox

Model	Description	Volts	Watts	BTU	Total Amps	Weight (lb/kg)
BF392SD	2-sided 39" firebox. Flame/1500W @ 120V ONLY. 3-stage remote control included (flame only, half-heat, full-heat). Built in manual override.	120	1440	5000	12.0	119 / 54

Door and Trim Options

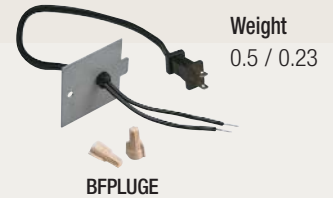
Doors / Trims

- BFGLOSS39BLK - Front glass option with black accents
- BFSD00R39BLK - Swing door with black accents
- BFKIT39BLK - 3-piece surround trim kit - black
- BFKIT39SS - 3-piece surround trim kit - stainless steel

Accessories

Plug Kit

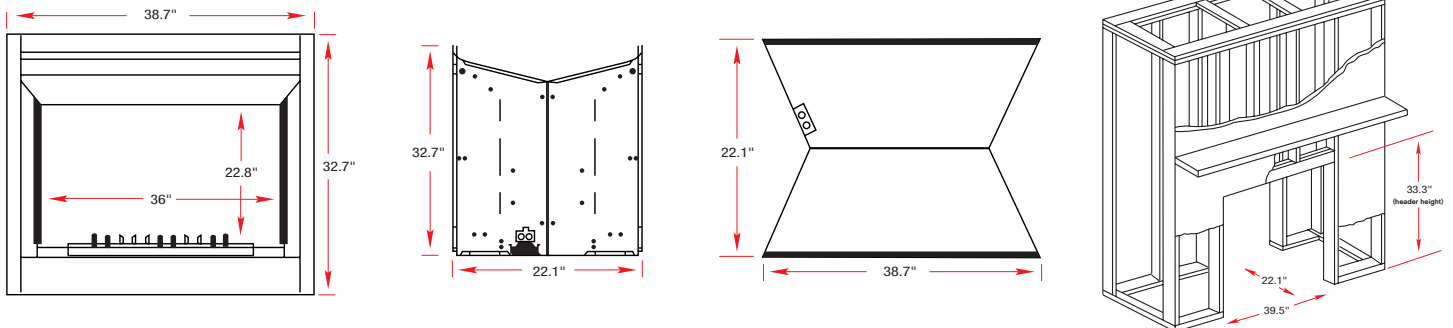
- BFPLUGE⁽¹⁾ Plug kit includes 7' cord (approx.) and plug, field installable for use at 120V setting only.



BFPLUGE

⁽¹⁾ Building codes vary by location. Prior to plug kit attachment - ensure product meets local code approval. National electric codes state that the plug be accessible, if required.

Specifications for BF392SD Firebox



Specifications, finishes and dimensions are subject to change. Details given should be taken as a guide only. Protected by one or more of the following U.S. Patents: 6,050,011, 6,269,567, 6,190,019, 6,564,485, 5,642,580, 6,615,519, 6,363,636, 6,047,489, 6,718,665, 6,350,498, 6,162,047, 6,385,881 and Canadian Patents: 2,175,442, 2,310,367, 2,310,073, 2,204,106, 2,310,362, 2,310,414, 2,262,338. Other patents pending.