

Product Description

- 120 volt plug-in firebox with thermostat controlled fan-forced heater
- Realistic flame image with pulsating embers and LED inner glow logs
- Patented electric flame technology
- Operates with flame only or flame and heat
- Safe, clean electric operation
- Includes on/off remote control
- Contains removable plug for direct wire applications
- Contemporary linear design
- Dimensions 30" W x 18 7/8" H x 9 1/4" D



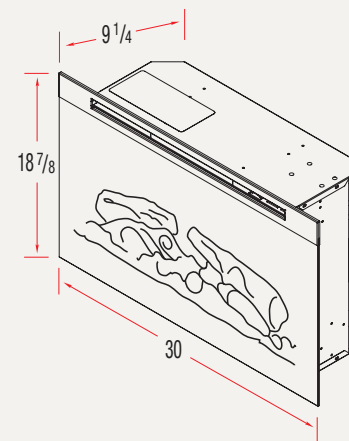
Self-trimming plug-in firebox (BF9000).

Specifications

Model Description

BF9000	Plug-in Fireplace, includes built-in thermostat with fan-forced heater, on/off remote control and lifelike flame effect.				
	Volts	Watts	BTU	Total Amps	Weight (lb/kg)
	120	880	3000	7.3	45 / 20.4

**Dimensions for
BF9000 Firebox**



Protected by the following patents: U.S. Patent: 5,642,580. Canadian Patent: 2,175,442. Other patents pending. Specifications, finishes and dimensions are subject to change and should be taken as a guide only.