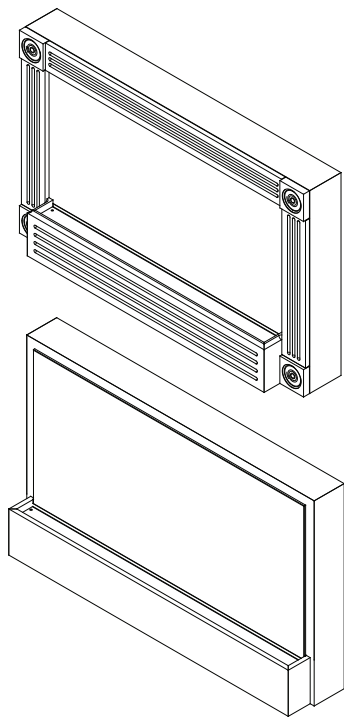




The world leader in electric fireplaces.



## Owner's Manual

Model  
TFA36E  
CFA36BS









---

**IMPORTANT SAFETY INFORMATION:** Always read this manual first before attempting to install or use this fireplace. For your safety, always comply with all warnings and safety instructions contained in this manual to prevent personal injury or property damage.





## Table of Contents

	Welcome & Congratulations .....	3
	Important Safety Instructions .....	4
	Battery Safety Instructions .....	4
	Quick Reference Guide .....	5
	Fireplace Installation .....	6
	Operation .....	9
	Maintenance .....	9
	Warranty .....	12

Always use a qualified technician or service agency to repair this fireplace.

**! NOTE:** Procedures and techniques that are considered important enough to emphasize.

**⚠ CAUTION:** Procedures and techniques which, if not carefully followed, will result in damage to the equipment.

**⚠ WARNING:** Procedures and techniques which, if not carefully followed, will expose the user to the risk of fire, serious injury, or death.

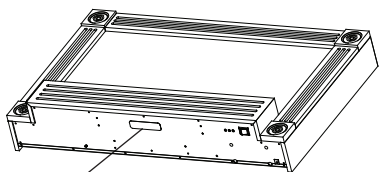
## Welcome & Congratulations

Thank you and congratulations for choosing to purchase an electric fireplace from Dimplex, the world leader in electric fireplaces.

**Please carefully read and save these instructions.**

**⚠ CAUTION:** Read all instructions and warnings carefully before starting installation. Failure to follow these instructions may result in a possible electric shock, fire hazard and will void the warranty.

Please record your model and serial numbers below for future reference: model and serial numbers can be found on the Model and Serial Number Label of your fireplace.



Model and Serial Number Label

**STOP** NO NEED TO RETURN TO THE STORE

Questions With the Assembly?

Require Parts Information?

Product Under Manufacturer's Warranty?



Call Toll-Free

1-888-346-7539

Monday to Friday  
8:00 a.m. to 4:30 p.m. EST

Please have your model number and product serial number ready. (See below)

Model Number

MODEL/CAT. No.	<input type="text"/>	MOD.	<input type="checkbox"/>
SERIAL No.	<input type="text"/>	<input type="text"/>	

Serial Number



## IMPORTANT SAFETY INSTRUCTIONS

- ① Read all instructions before using this appliance.
- ② Any repairs to this appliance should be carried out by a qualified service person.
- ③ Under no circumstances should this appliance be modified. Parts having to be removed for servicing must be replaced prior to operating this fireplace again.
- ④ Do not use outdoors.
- ⑤ Use this appliance only as described in this manual. Any other use not recommended by the manufacturer may cause fire, electric shock or injury to persons.
- ⑥ To prevent damage to the electric fireplace and to prevent bodily harm, only use Dimplex replacement rechargeable batteries.
- ⑦ Always use caution when handling, installing or replacing the rechargeable battery. Do not dispose of in or place near fire or extreme heat. Consult your local recycling facility for proper disposal.

## SAVE THESE INSTRUCTIONS



### Battery Safety Instructions

- ⚠ WARNING:** To avoid severe bodily injury, read and follow the battery safety guidelines below:
  - Contains a sealed, non-spillable lead acid battery.
- ⚠ WARNING:** Improper handling of battery may result in possible explosion hazard, electric shock and severe bodily injury.
  - Do not dispose of battery in a fire, the battery may explode



## Battery Safety Instructions

- Do not open or mutilate battery. The battery contains chemicals that are toxic to the eyes and skin
- To decrease risk of electric shock, remove wrist watches and jewelry such as rings and bracelets when replacing battery.
- To decrease risk of electric shock, only use tools with insulated handles.
- To prevent damage to the electric fireplace and to prevent bodily harm, only replace battery with Dimplex replacement rechargeable batteries.
- To prevent damage to the electric fireplace and to prevent bodily harm, only use Dimplex approved DC power supply to power and recharge battery.
- To dispose of spent battery, return it to place of fireplace purchase, deliver it to a local recycling facility or ship it to Dimplex North America Limited in the replacement battery packaging material.



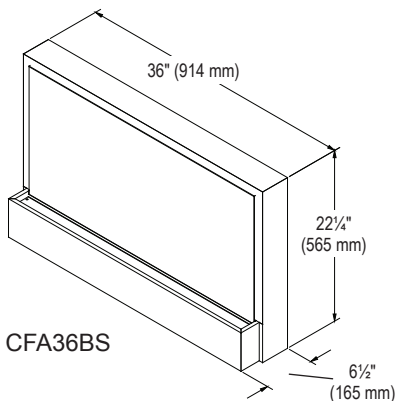
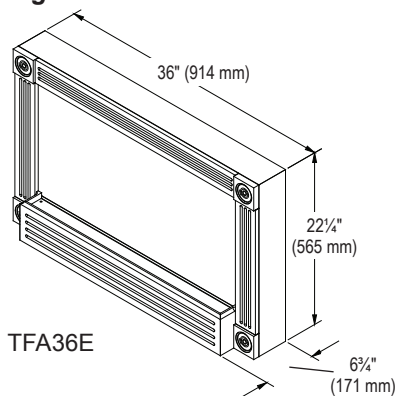
## Quick Reference Guide

- ① The information regarding the model of your electric fireplace can be found on the label located on the bottom of the unit.
- ② If you have any technical questions or concerns regarding the operation of your electric fireplace, or require service contact customer service.
- ③ For dimensions of your fireplace, refer to Figure 1.



## Quick Reference Guide

**Figure 1**



## Fireplace Installation

### Site Selection

This battery operated fireplace can be mounted and used on any interior wall.

The rechargeable battery supplied with this unit can only be recharged while installed in the fireplace. Dimplex recommends selecting a location that would place the fireplace near an electrical outlet and within the six (6) foot (1.8 m) reach of the power cord supplied.

### If installing a new outlet for this electric fireplace:

- ① Construction and electrical outlet wiring must comply with local building codes and other applicable regulations to reduce the risk of fire, electric shock and injury to persons.
- ② Do not attempt to wire your own new outlets or circuits. To reduce the risk of fire, electric shock or injury to persons, always use a licensed electrician.

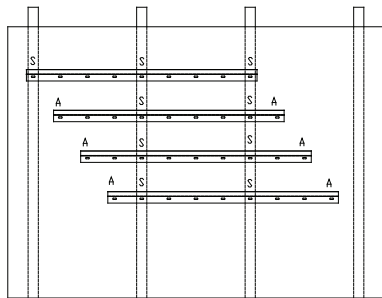
# Fireplace Installation

## Installation

- ① Make sure the unit's Main ON/OFF switch is switched OFF. (Refer to operating instruction section)
- ② Choose your desired height and location for the electric fireplace.
- ③ Locate a minimum of two (2) wall studs to install the wall mount bracket on.
- ④ Mark an approximate location for one (1) of the supplied #8 screws to be used on each of the wall studs.
- ⑤ Referring to Figure 2 for placement possibilities of the wall mount bracket, use the supplied bubble level and mark the appropriate positions for wall stud and/or wall anchors as needed.

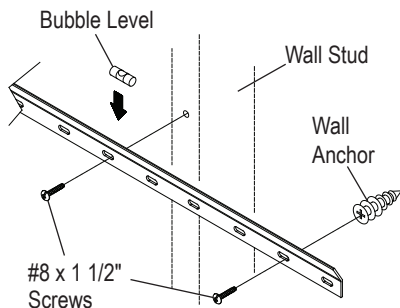
**⚠ CAUTION:** A minimum of two (2) wall studs (marked by S in Figure 2), and either a third wall stud or two (2) wall anchors (marked by A in Figure 2) must be used to securely support the electric fireplace.

**Figure 2**



- ⑥ Remove the wall mount bracket and install any wall anchors where marked (none required if installing the wall mount bracket using three (3) wall studs as shown in Figure 2).
- ⑦ Following the example shown in Figure 3, install the wall mount bracket using the supplied #8 x 1 1/2 inch screws.

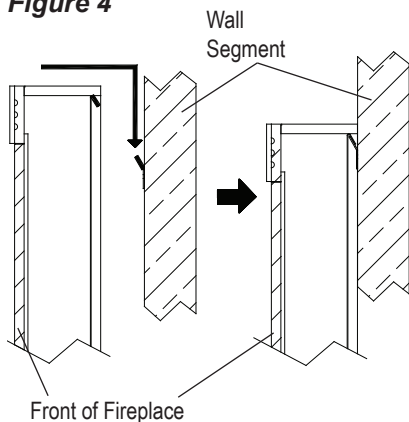
**Figure 3**



## Fireplace Installation

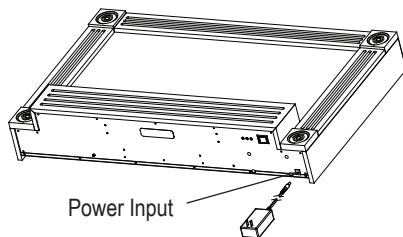
- ⑧ Hang your electric fireplace onto the wall mount bracket as shown in Figure 4. The metal lip on the back of the fireplace should rest on the wall mount bracket.

**Figure 4**



- ⑨ Carefully spread supplied rocks on front tray of the fireplace.

**Figure 5**



- ⑩ Using the supplied power cord, plug in your electric fireplace to charge the factory installed battery. The power input on the fireplace is located on the bottom of the fireplace, under the right hand corner (Figure 5).

**! NOTE:** Dimplex recommends leaving your electric fireplace plugged in to charge over night for first time use.

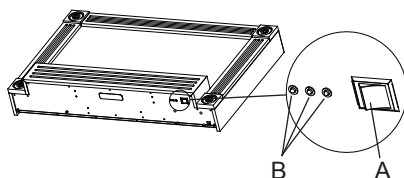
## Operation

This electric fireplace is operated by a momentary switch located on the bottom of the fireplace, under the right hand corner (Figure 6-A).

Press the momentary switch to toggle the fireplace's flame effect on or off.

The battery charge LEDs (Figure 6-B) will indicate the charge level of the battery. The LEDs read green, yellow and red from right to left. Once the red battery charge LED is lit, the electric fireplace should be plugged in to recharge. The fireplace can operate while charging.

**Figure 6**



**! NOTE:** The fireplace will shut off automatically if it is unplugged during operation. The momentary On/Off Switch will need to be activated to turn the fireplace on again.

## Maintenance

**⚠ WARNING:** Disconnect power before attempting any maintenance or cleaning to reduce the risk of fire, electric shock or damage to persons.

**! NOTE:** Even if the fireplace is not used regularly, the battery should be fully recharged at minimum every three (3) months to prolong battery life.

### Battery Replacement

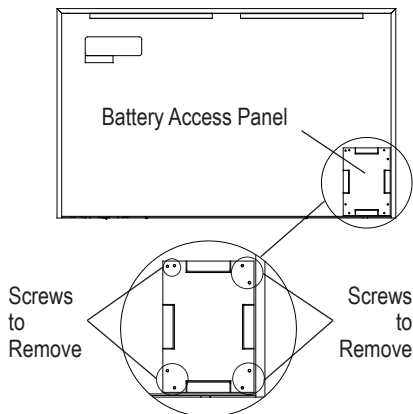
The flame effect is generated by a series of LED lights and will provide long life. If the flame effect should cease to appear or areas of the flame effect not work, call customer service for assistance.

Should the fireplace not operate at all when charged adequately,



## Maintenance

**Figure 7**



or operate for a minimal period of time while not plugged in, the battery may need to be replaced.

### To Replace The Battery

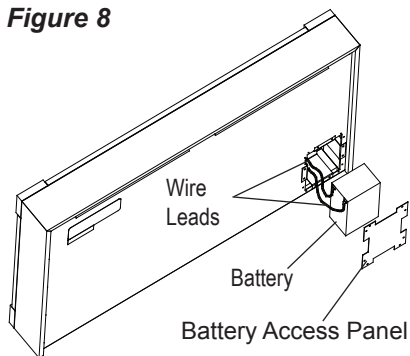
**⚠ WARNING:** Read battery safety instructions prior to attempting to replace battery.

- ① Unplug the unit from power outlet.
- ② Remove the electric fireplace from the wall mount bracket and place on a flat surface.
- ③ On the back of the fireplace, remove the eight (8) screws from the battery access cover located

in the bottom, right corner (Figure 7).

- ④ Remove the battery access cover.
- ⑤ There are wire leads connecting the battery to the fireplace. Remove the battery from the fireplace.
- ⑥ Remove the two (2) wire connectors from the battery being careful not to damage the battery connections (Figure 8).

**Figure 8**



- ⑦ Replace the battery and re-connect the wire leads with black leading to black and red leading to red to ensure correct polarity.
- ⑧ Insert the replacement battery into the fireplace, carefully



## Maintenance

orienting the wire leads so that they are not pinched by the access cover.

⑨ Replace the access cover and screws removed in step 3.

**⚠ WARNING:** Contact your local recycling center for proper disposal of the battery. Do not dispose of in fire, or place near extreme heat.

### Mirror Cleaning

The mirror is cleaned in the factory during the assembly operation. During shipment, installation, handling, etc., the mirror may collect dust particles; these can be removed by dusting lightly with a clean dry cloth.

To remove fingerprints or other marks, the mirror can be cleaned with a damp cloth. The mirror should be completely dried with a lint free cloth to prevent water spots. To prevent scratching, do not use abrasive cleaners.

### Fireplace Surface Cleaning

Use only a damp cloth to clean painted surfaces of the fireplace. Do not use abrasive cleaners.

### Servicing

Except for battery replacement and cleaning described above, an authorized service representative should perform any other servicing.



## Warranty

### *Products to which this limited warranty applies:*

This limited warranty applies to your newly purchased Dimplex electric fireplace. This limited warranty applies only to purchases made in any province of Canada except for Yukon Territory, Nunavut, or Northwest Territories or in any of the 50 States of the USA (and the District of Columbia) except for Hawaii and Alaska. This limited warranty applies to the original purchaser of the product only and is not transferable.

### *Products excluded from this limited warranty:*

Batteries are not covered by this limited warranty and are the sole responsibility of the owner/purchaser. Products purchased in Yukon Territory, Nunavut, Northwest Territories, Hawaii, or Alaska are not covered by this limited warranty. Products purchased in these States, provinces, or territories are sold AS IS without warranty or condition of any kind (including, without limitation, any implied warranties or conditions of merchantability or fitness for a particular purpose) and the entire risk of as to the quality and performance of the products is with the purchaser, and in the event of a defect the purchaser assumes the entire cost of all necessary servicing or repair.

### *What this limited warranty covers and for how long:*

Products covered by this limited warranty have been tested and inspected prior to shipment and, subject to the provisions of this warranty, Dimplex warrants such products to be free from defects in material and workmanship for a period

of 12 months from the date of the first purchase of such product.

The limited 12 month warranty period also applies to any implied warranties that may exist under applicable law. Some jurisdictions do not allow limitations on how long an implied warranty lasts, so the above limitation may not apply to the purchaser.

### *What this limited warranty does not cover:*

This limited warranty does not apply to products that have been repaired (except by Dimplex or its authorized service representatives) or otherwise altered. This limited warranty does further not apply to defects resulting from misuse, abuse, accident, neglect, incorrect installation, improper maintenance or handling, or operation with an incorrect power source.

### *What you must do to get service under this limited warranty:*

Defects must be brought to the attention of Dimplex Technical Service by contacting Dimplex at 1-888-DIMPLEX (1-888-346-7539), or 1367 Industrial Road, Cambridge Ontario, Canada N1R 7G8. Please have proof of purchase, catalogue/model and serial numbers available when calling. Limited warranty service requires a proof of purchase of the product.

### *What Dimplex will do in the event of a defect:*

In the event a product or part covered by this limited warranty is proven to be defective in material or workmanship during the 12 month limited warranty period you have the following rights:



## Warranty

- Dimplex will in its sole discretion either repair or replace such defective product or part without charge. If Dimplex is unable to repair or replace such product or part, or if repair or replacement is not commercially practicable or cannot be timely made, Dimplex may, in lieu of repair or replacement, choose to refund the purchase price for such product or part.
- Limited warranty service will be performed solely by dealers or service agents of Dimplex authorized to provide limited warranty services.
- The purchaser is responsible for removal and transportation of such product or part (and any repaired or replacement product or part) to and from the authorized dealer's or service agent's place of business.
- This limited warranty does not entitle the purchaser to on-site or in-home services. On-site or in-home services may be performed at the purchaser's specific request and expense at Dimplex's then-current rates for such services.
- Dimplex will not be responsible for, and the limited warranty services shall not include, any expense incurred for installation or removal of the product or part (or any replacement product or part) or any labour or transportation costs. Such costs shall be the purchaser's responsibility.

*What Dimplex and its dealers and service agents are also not responsible for.*

IN NO EVENT WILL DIMPLEX, OR ITS DIRECTORS, OFFICERS, OR AGENTS, BE LIABLE TO THE PURCHASER OR ANY THIRD PARTY. WHETHER IN CONTRACT, IN TORT, OR ON ANY OTHER BASIS, FOR ANY INDIRECT, SPECIAL, PUNITIVE, EXEMPLARY, CONSEQUENTIAL, OR INCIDENTAL LOSS, COST, OR DAMAGE ARISING OUT OF OR IN CONNECTION WITH THE SALE, MAINTENANCE, USE, OR INABILITY TO USE THE PRODUCT, EVEN IF DIMPLEX OR ITS DIRECTORS, OFFICERS, OR AGENTS HAVE BEEN ADVISED OF THE POSSIBILITY OF SUCH LOSSES, COSTS OR DAMAGES, OR IF SUCH LOSSES, COSTS, OR DAMAGES ARE FORESEEABLE. IN NO EVENT WILL DIMPLEX, OR ITS OFFICERS, DIRECTORS, OR AGENTS BE LIABLE FOR ANY DIRECT LOSSES, COSTS, OR DAMAGES THAT EXCEED THE PURCHASE PRICE OF THE PRODUCT.

SOME JURISDICTIONS DO NOT ALLOW THE EXCLUSION OR LIMITATION OF INCIDENTAL OR CONSEQUENTIAL DAMAGES, SO THE ABOVE LIMITATION OR EXCLUSION MAY NOT APPLY TO THE PURCHASER.

### *How State and Provincial law apply:*

This limited warranty gives you specific legal rights, and you may also have other rights which vary from jurisdiction to jurisdiction. The provisions of the United Nations Convention on Contracts for the Sale of Goods shall not apply to this limited warranty or the sale of products covered by this limited warranty.



**Dimplex North America Limited**  
1367 Industrial Road  
Cambridge ON  
Canada N1R 7G8

© 2009 Dimplex North America Limited