

Alpine

THE RENAISSANCE SERIES

Outdoor Fireplace Systems
O36 and O42 Model Series

Unique Blend of
Beauty,
Convenience &
Versatility



Stylish extras for homeowners...Better value for builders

FIREPLACES
FOR BUILDERS
Fmi

Classic Beauty - Ultimate Flexibility

THE RENAISSANCE SERIES

Alpine

Outdoor Fireplace Systems
O36 and O42 Model Series

America is moving outdoors. And Fmi's *Alpine* outdoor vent-free gas fireplace systems transform just about any backyard into a private year 'round oasis. An *Alpine* offers the beauty and ambiance of a real wood outdoor fire but without the smoke, hassle and mess. They can be installed virtually anywhere, and come in one beautiful and complete package with all the conveniences and new features homeowners will love!

Homeowner Highlights:

- Eye Dazzling Beauty**— The *Alpine* features clean, brushed stainless steel faces and stainless mesh spark screens. The screens tuck out of sight behind hidden side pockets to maximize the beauty of the fireplace. They also include the industry's finest colored and textured refractory brick liner for a true masonry look. Integrated gas log sets feature intricately detailed bark, split wood and charred textures. Random dancing yellow flames with a deep glowing ember bed complete the full and realistic flame picture.
- Variety of Sizes & Features**—Available in 36" and 42" sizes with either natural white or warm red brick, there's a perfect *Alpine* for any outdoor room. All controls are hidden to eliminate hearth clutter and maximize the real woodburning feel. All models feature glowing ember bed burner with remote ready control and push button ignition.
- Versatility & Economy**—An *Alpine* is an extremely economical installation since it requires no venting or chimney construction whatsoever. Not only does that reduce costs, but may also be allowed where restrictions prohibit typical vented outdoor fireplaces.

Builder Benefits:

- Economical and Versatile**— When you eliminate all that venting and chase construction, installation costs come way down. And their versatile, compact design provides enough flexibility for small, unconventional or restricted lots.
- Secure, straight installation**—We've included full-length, solid stainless steel nailing flanged drywall stops on the *Alpine* built into all three sides of the face frame.



O36NRB Includes "stacked" style, natural white textured brick.



O42PRRB operates on propane gas and features textured brick refractory in warm red.

Alpine Product Offering Summary

- 36" and 42" Opening Widths
- Stacked or Herringbone Brick Pattern in natural white or warm red
- Natural Gas or Propane Applications
- BDO series Bi-Fold Doors are optional on all models, but ordered separately



The *Alpine's* standard features include the industry's finest textured refractory brick lining, clean stainless steel faces and screens shown with optional Platinum bi-fold doors.



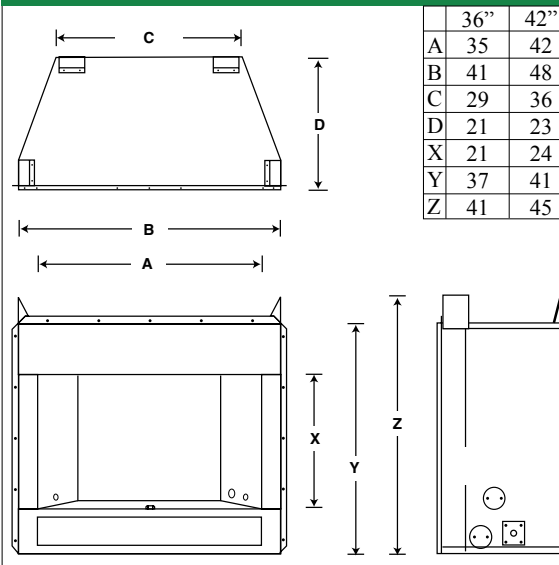
Accessories include a matching fireplace opening cover to protect against weather and dirt, as well as unwelcome animals and pests.

Size	BTU(NG)	BTU(LP)
36"	41,000	41,000
42"	47,000	45,000

Accessory Offering Summary

- Corrosion resistant water drainage pans
- Outdoor optional Bi-fold Glass Door Options (Black, Brass & Platinum)
- Extruded Aluminum Perimeter Trim Kits (Black, Brass & Platinum)
- Remote Control Kits
- Decorative Ash Bed / Control Cover Kit
- Fuel Conversion Kits

Dimensions



www.fmiproducts.com
For more information, call (866) 328-4537

FA 4100 0510

© 2010 FMI PRODUCTS, LLC



Printed in U.S.A.

Product design, features and specifications are subject to change at any time. Refer to current product instructions prior to installation.