



TRAVIS INDUSTRIES HOUSE OF FIRE

1750 Wood Insert

Owner's Manual

• Masonry Fireplace Insert

• Zero-Clearance (Metal)
Fireplace Insert

*Save these instructions
for future reference*

SAFETY NOTICE:

If this appliance is not properly installed, a house fire may result. For your safety, follow the installation directions. Contact local building or fire officials about restrictions and installation inspection requirements in your area.

Travis Industries, Inc.
4800 Harbour Pointe Blvd. SW
Mukilteo, WA 98275
www.travisproducts.com

© Copyright 2009, T.I.
\$10.00 100-01234_000
4090805

Listed By  Portland
Oregon USA
OMNI-Test Laboratories, Inc.

Tested to:
U.L. 1482 and ULC S628-M93

Introduction

We welcome you as a new owner of a 1750 wood-burning fireplace insert. In purchasing a 1750 you have joined the growing ranks of concerned individuals whose selection of an energy system reflects both a concern for the environment and aesthetics. The 1750 is one of the finest appliances the world over. This manual will explain the installation, operation, and maintenance of this appliance. Please familiarize yourself with the Owner's Manual before operating your appliance and save the manual for future reference. Included are helpful hints and suggestions which will make the installation and operation of your new appliance an easier and more enjoyable experience. We offer our continual support and guidance to help you achieve the maximum benefit and enjoyment from your appliance.

Important Information

No other 1750 appliance has the same serial number as yours. The serial number is stamped onto the label on the back of the appliance.

This serial number will be needed in case you require service of any type.

Model: _____ 1750 Insert _____

Serial Number: _____

Purchase Date: _____

Purchased From: _____

Register your warranty online at:

traviswarranty.com

Or, mail your warranty card to:

Travis Industries House of Fire
 4800 Harbour Pointe Blvd. SW
 Mukilteo, WA 98275

Save Your Bill of Sale.

To receive full warranty coverage, you will need to show evidence of the date you purchased your heater. Do not mail your Bill of Sale to us.

We suggest that you attach your Bill of Sale to this page so that you will have all the information you need in one place should the need for service or information occur.



We suggest that our woodburning hearth products be installed and serviced by professionals who are certified in the U.S. by the National Fireplace Institute® (NFI) as NFI Woodburning Specialists or who are certified in Canada by Wood Energy Technical Training (WETT).



General Information

Introduction	2
Important Information	2
Safety Precautions	4
Features & Specifications	6

Fireplace Insert Installation

Planning The Installation	7
Preparation for Installation	7
Additional Accessories Needed for Installation	7
Installation Considerations	7
Fireplace Requirements	8
Insert Placement Requirements	8
Masonry Fireplace Requirements	9
Zero-Clearance (Metal) Fireplace Requirements	9
Hearth Requirements	10
Drafting Performance	10
Insert Rollers	10
Leveling Bolt Installation	10
Block-Off Plate Installation	11
Insert with Positive Connection	12
Insert with Direct Connection (Masonry Fireplace)	12
Insert with Direct Connection (Z.C. Fireplace)	13
Insert with Face Seal Connection	13

Operating Your Appliance

Safety Notice:	14
Before Your First Fire	14
Opening the Door	15
Bypass Operation	16
Starting a Fire	16
Adjusting the Burn Rate	18
Ash Removal	18
Optional Blower Operation	19
Re-Loading the Stove	19
Overnight Burn	19
Normal Operating Sounds	19
Hints for Burning	20
Selecting Wood	20
Troubleshooting	21

Maintaining Your Appliance

Daily Maintenance (while stove is in use)	22
Remove Ash (if necessary)	22
Clean the Glass (if necessary)	22
Monthly Maintenance (while appliance is in use)	23
Door and Glass Inspection	23
Creosote - Formation and Need for Removal	2
Yearly Maintenance	24
Touch Up Paint	24
Cleaning the Air Duct and Blower (if applicable)	24
Firebrick and Baffle Inspection	24
Door Parts	25
Firebox Parts	26
Floor and Side Firebrick Removal & Replacement	26
Baffle Removal & Replacement	27
Air Tube Removal & Replacement	27

Warranty

Warranty	28
----------------	----

Listing Information

Listing Label	30
---------------------	----

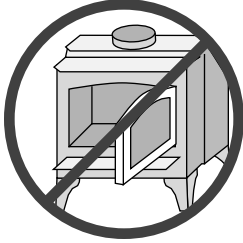
Optional Equipment

Surround Panels	31
Front Blower	33

Index

Index	34
-------------	----

Safety Precautions



The viewing door must be closed and latched during operation.

Never block free airflow through the air vents on this appliance.



Gasoline or other flammable liquids must never be used to start the fire or "Freshen Up" the fire. Do not store or use gasoline or other flammable liquids in the vicinity of this appliance.



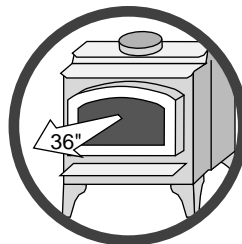
This appliance is designed and approved for the burning of cord wood only. Do not attempt to burn any other type of fuel other than cord wood in this appliance, it will void all warranties and safety listings.



Ashes must be disposed in a metal container with a tight lid and placed on a non-combustible surface well away from the home or structure.



Do not touch the appliance while it is hot and educate all children of the danger of a high-temperature appliance. Young children should be supervised when they are in the same room as the appliance.



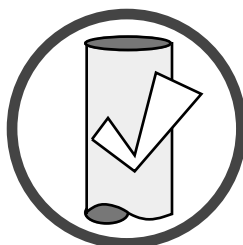
Keep furniture, drapes, curtains, wood, paper, and other combustibles a minimum of 36" away from the front of the appliance.



This appliance must be properly installed to prevent the possibility of a house fire. The instructions must be strictly adhered to. Do not use makeshift methods or compromise in the installation.

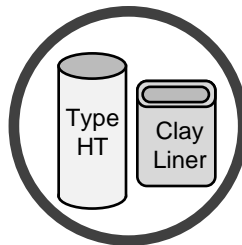


Contact your local building officials to obtain a permit and information on any installation restrictions or inspection requirements in your area. Notify your insurance company of this appliance as well.



Inspect the chimney connector and chimney at least twice monthly and clean if necessary. Creosote may build up and cause a house fire.

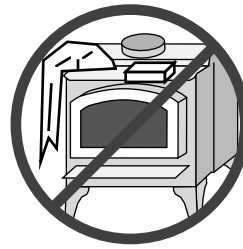
Do not connect this appliance to any chimney serving another appliance.



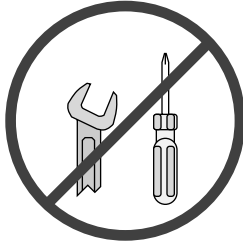
This appliance must be connected to a listed high temperature (UL 103 HT) residential type chimney or an approved masonry chimney with a standard clay tile, or stainless steel liner.



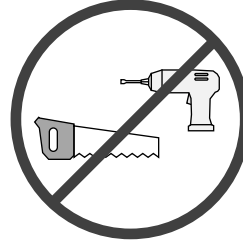
When installed in a mobile home, this appliance must be bolted to the floor, have outside air, and not be installed in the bedroom (Per H.U.D. requirements). Check with local building officials.



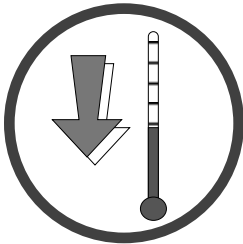
Do not place clothing or other flammable items on or near this appliance.



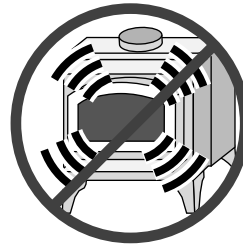
Never try to repair or replace any part of this appliance unless instructions are given in this manual. All other work must be done by a trained technician.



Do not make any changes or modifications to an existing masonry fireplace or chimney to install this appliance.

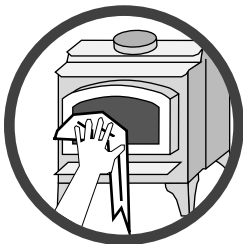


Allow the appliance to cool before carrying out any maintenance or cleaning.

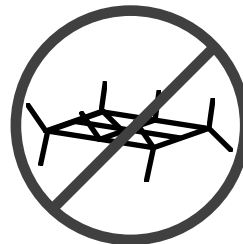


Do not make any changes to the appliance to increase combustion air.

Overfiring the appliance may cause a house fire. If a unit or chimney connector glows, you are overfiring.



Maintain the door and glass seal and keep them in good condition.



Do not use a grate or other device to elevate the fire off of the firebox floor. Burn the fire directly on the bricks.

Avoid placing wood against the glass when loading. Do not slam the door or strike the glass.



Do not throw this manual away. This manual has important operating and maintenance instructions that you will need at a later time. Always follow the instructions in this manual.



Travis Industries, Inc. grants no warranty, implied or stated, for the installation or maintenance of your appliance, and assumes no responsibility of any consequential damage(s).

Installation Options:

- Masonry Fireplace Insert
- Zero-Clearance (Metal) Fireplace Insert

Features:

- EPA Phase II Approved
- 2.2 Cubic Foot Firebox Volume
- Single Operating Control
- Accepts Logs Up to 18" Long
- Steel Plate Construction (5/16" & 3/16")
- Heavy Duty Refractory Firebrick
- Optional High-Tech Blower

Heating Specifications:

Approximate Maximum Heating Capacity (in square feet)*	1,200 to 2,000
Maximum BTU's per Hour (Cord Wood Calculation)	72,400
Maximum Burn Time	Up to 10 Hours

* Heating capacity will vary depending on the home's floor plan, degree of insulation, and the outside temperature. It is also affected by the quality and moisture level of the fuel.

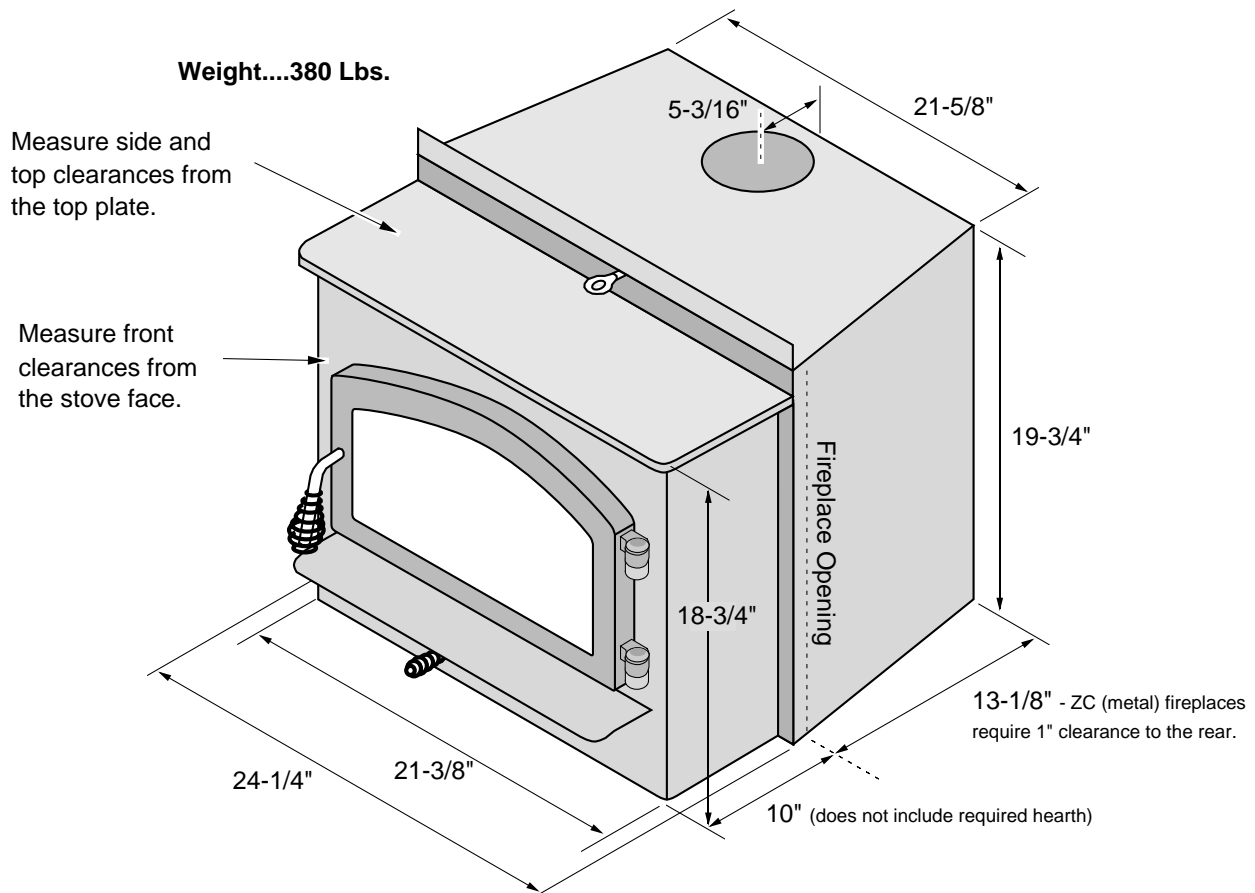
Dimensions:

Figure 1

Emissions:

1.9 Grams Per Hour (EPA Phase II Approved) – Tests conducted by E.E.S.P.C.

SAFETY NOTICE:

Please read this entire manual before you install and use your new room heater. Failure to follow instructions may result in property damage, bodily injury, or even death. Contact local building or fire officials about restrictions and installation inspection requirements in your area.

Planning The Installation



We suggest that you have an authorized Travis Industries dealer install your fireplace insert. If you install the fireplace insert yourself, your authorized dealer should review your installation plans.



Check with local building officials for any permits required for installation of this fireplace insert and notify your insurance company before proceeding with installation.

Preparation for Installation

- Check for damage to the exterior of the fireplace insert (dents should be reported, scratches can be fixed by applying touch up paint).
- Check the interior of the firebox (replace cracked firebrick and make sure baffle is in place).



The fireplace insert can be lightened by removing the firebricks and baffle (pg 26) - replace before operation.

Additional Accessories Needed for Installation

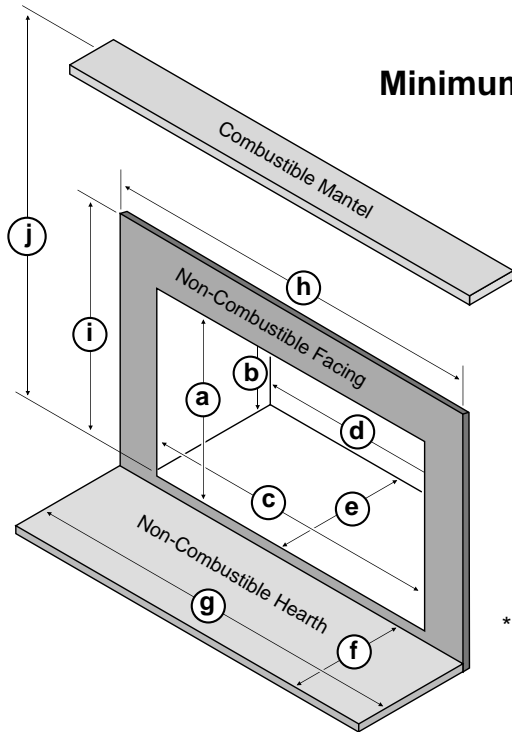
- 1 Door (shipped separately)
- 2 Surround Panels (see page 31)

Installation Considerations

<u>Installation Type</u>	<u>Considerations</u>
Insert with Positive Flue (Full Reline) (Page 12)	<ul style="list-style-type: none"> • Utilizes existing masonry or zero clearance fireplace • Provides best draft • Easiest to clean <p>REQUIRED IN CANADA</p>
Insert with Direct Connect Flue (Page 12 and 13)	<ul style="list-style-type: none"> • Utilizes existing masonry or zero clearance fireplace • Provides good draft • Requires fireplace block-off plate - see page 11 <p>NOT ALLOWED IN CANADA</p>
Insert with Face Seal Connection (Page 13) NOTE: Before installing verify with local building officials that this type of installation is approved in your area.	<ul style="list-style-type: none"> • Utilizes existing masonry fireplaces with cross section of 28" to 144" (not approved for zero clearance fireplaces) • Provides marginal draft • Easiest to install • Requires the optional surround panels and insulation (see "Surround Panels" on page 31). <p>NOT ALLOWED IN CANADA</p>

Fireplace Requirements

Figure 2 shows the minimum size requirements for the type of fireplace used.



Minimum Fireplace Size

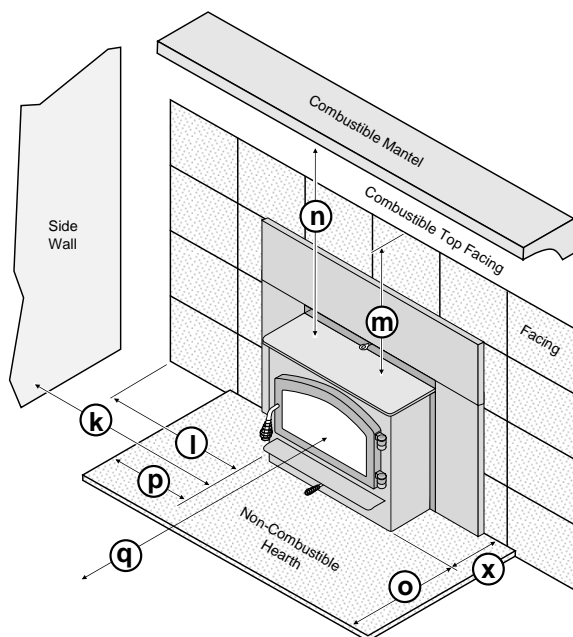
	Masonry Fireplace	Z.C. (Metal) Fireplace
a Height (front)	19-3/4"	19-3/4"
b Height (rear)	19-3/4"	19-3/4"
c Width (front)	24-1/4"	26-1/4"
d Width (rear)	21-5/8"	23-5/8"
e Depth	13-1/8"	14-1/8"
f Hearth Depth*	26"	26"
g Hearth Width	40-1/4"	40-1/4"
h Facing Width	50-1/4"	48-1/4"
i Facing Height	47-1/4"	30-3/4"
with mantel shield	39-1/4"	N/A
j Mantel Height	49-1/4"	42-3/4"
with mantel shield	41-1/4"	N/A

* This is the distance the insert protrudes from the fireplace opening plus the required 16" of hearth extension.

Figure 2

Insert Placement Requirements

- The insert must be placed so that no combustibles are within, or can swing within (e.g. drapes, doors), 36" of the front of the insert
- Insert and hearth must be installed on a level, secure floor
- The minimum clearances, facing, and hearth requirements in Figure 3 must be met (follow the clearances for the type of fireplace being used - either masonry or zero-clearance).



Minimum Clearances

	Masonry Fireplace	ZC (Metal) Fireplace
k Sidewall to Insert	15"	30"
l Side Facing	13"	12"
m Top Facing	28-1/2"	12"
with mantel shield	20-1/2"	N/A
n Mantel to Insert	30-1/2"	24"
with mantel shield	22-1/2"	N/A
o Hearth (Front)	16"	16"
p Hearth (Side)	8"	8"
q Front of Insert	36"	36"
x Extension onto Hearth	10"	10"

Figure 3

Masonry Fireplace Requirements

CANADA ONLY:

The fireplace insert must be installed with a continuous chimney liner of 6" diameter extending from the fireplace insert to the top of the chimney. The chimney liner must conform to the Class 3 requirement of Can/ULC S635, Standard Lining Systems for Existing Masonry or Factory- Built Chimney & Vents, or CAN/ULC S640, Standard for Lining Systems for New Masonry Chimneys.

- Chimney must have a clay tile liner or a stainless steel liner (positive connection)
- Entire fireplace, including chimney, must be clean and undamaged. Any damage must be repaired prior to installation of the insert
- Chimney height: 15' minimum; 33' maximum.
- Entire fireplace, including chimney, must meet local building requirements.

Zero-Clearance (Metal) Fireplace Requirements

CANADA ONLY:

The fireplace insert must be installed with a continuous chimney liner of 6" diameter extending from the fireplace insert to the top of the chimney. The chimney liner must conform to the Class 3 requirement of Can/ULC S635, Standard Lining Systems for Existing Masonry or Factory- Built Chimney & Vents, or CAN/ULC S640, Standard for Lining Systems for New Masonry Chimneys.

- Must utilize a positive (full reline) or direct connection (block-off plate)
- Must be manufactured by one of the following manufacturers:
 - Marco • Majestic • Heatilator • Preway • Tempco • Superior
 - Heat N Glo • Lennox • Martin • Monesson
- Entire fireplace, including chimney, must be clean and undamaged. Any damage must be repaired prior to installation of the insert
- Entire fireplace, including chimney, must meet local building requirements
- Chimney height: 15' minimum; 33' maximum.
Minimum cross section: 28.65 square inches
- The damper ("A") and grate ("B") must be removed (see Figure 4). The smoke shelf ("C"), internal baffles ("D"), screen ("E"), and metal or glass baffles ("F") may be removed (if applicable). The masonry lining ("G"), insulation ("H"), and any structured rigid frame members (metal sides, floor, door frame, face of the fireplace, etc. – "I") may not be removed or altered

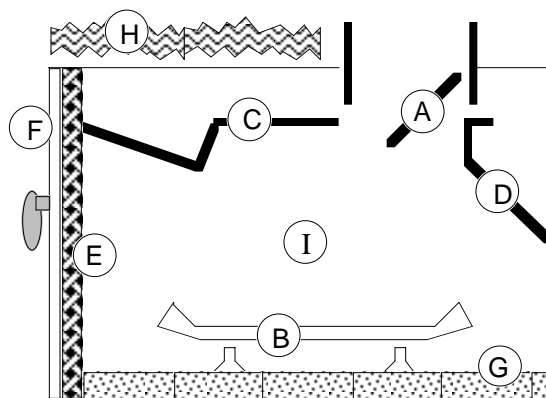


Figure 4

Hearth Requirements

- Must extend 16" in front of the insert and 8" on both sides (min. 26" deep by 40-1/4" wide)
- Must be non-combustible and at least .018" thick (26 gauge)

Drafting Performance

This appliance relies upon natural draft to operate. External forces, such as wind, barometric pressure, topography, or factors of the home (negative pressure from exhaust fans, chimneys, air infiltration, etc.), may adversely affect draft. Travis Industries can not be responsible for external forces leading to less than optimal performance.

Insert Rollers

Two rollers are built into the back edge of the insert. This allows the insert to be rolled into position by lifting the front of the insert and pushing it into position (see Figure 5).

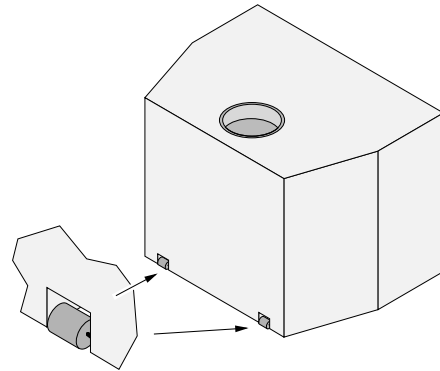


Figure 5

Leveling Bolt Installation

Two leveling bolts are pre-installed on the insert to allow for proper leveling within the fireplace. To access the bolts, remove the back corner firebricks and cover plates (see Figure 6 "a" and "b") The bolts are pre-threaded to a weld-nut on the base of the insert. Use a 3/4" socket wrench to screw the bolts down (clockwise) until the insert is level (see "c").

MASONRY NOTE: You may wish to place a metal plate below the bolt if the masonry is weak.

SEALING THE COVER PLATE: We recommend sealing the cover plate with furnace cement (place on underside of cover plate).

BOLT LENGTH: The included bolts allow approximately 1" of rise. If additional rise is required, use a longer 1/2-13 thread bolt. Make sure the additional bolt length does not interfere with the cover plate.

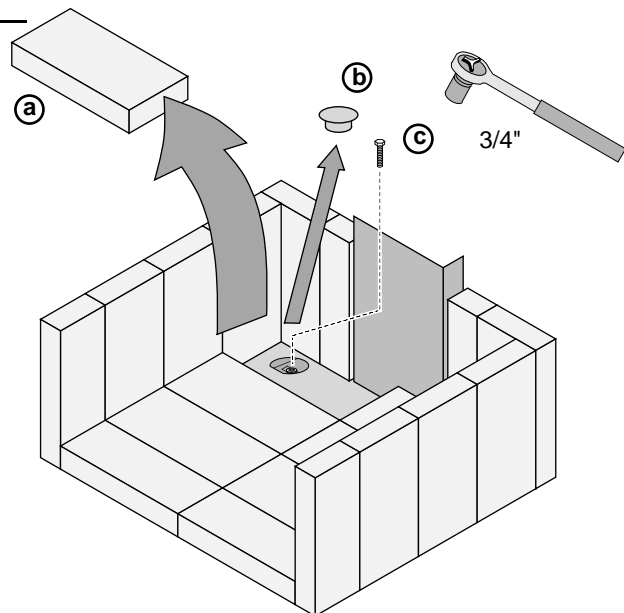


Figure 6

Block-Off Plate Installation

Whenever this appliance is installed with a direct connection a block-off plate, or other non-combustible seal-off device (e.g. damper adapter), will need to be installed. This device is used to seal the chimney, insuring no smoke enters the home and providing the chimney system with a seal to promote draft. The directions below detail the steps for construction and installation of a block-off plate.

- 1 Determine a location for the block-off plate at the top of the firebox below the damper area (make it high enough to allow installation of the connection pipe). The location should be level and in an area where it can be mounted easily. Measure the width at the rear ("A") and front ("B") of the firebox at the height where the block-off plate will be installed (see Figure 7). Then measure the depth of the location where the block-off plate will be installed ("C").
NOTE: Most masonry fireplaces have square fireboxes while certain zero-clearance (metal) fireplaces often have domed firebox tops. This makes zero-clearance block-off plates more difficult to install. To simplify the procedure, insulation may be used to seal the rounded edges.
- 2 Make a cardboard template of the measurements, but add a 2" flange to each side. This flange will be used to mount the block-off plate to the inside of the firebox. Bend the flanges downwards on the template and place it inside the fireplace. If the template fits correctly in its planned location, go to the next step. If it does not, make a new template with the appropriate corrections until it fits correctly.
- 3 With the template in place, mark the location of the flue (see "Dimensions" on page 6). This location approximates the center of the flue when the insert is in place (a slight offset may occur based upon insert and block-off plate placement). Remove the template and cut a 6 1/4" diameter hole centered on this mark.
- 4 Make the block-off plate of 24 gage or thicker steel to match the template. Drill two holes in each flange for mounting the plate.
- 5 Mount the block-off plate using masonry screws.
NOTE: Use sheet metal screws on zero-clearance (metal) fireplaces (screws need only be long enough to penetrate the first layer of metal).
- 6 Insulate the block-off plate using high-temperature fiberglass insulation (Kaowool® or equivalent) and furnace cement (allow the cement to dry for at least 24 hours before burning).
- 7 After placing the appliance and installing the pipe through the block-off plate, use high-temperature fiberglass insulation and furnace cement to seal any cracks between the pipe and block-off plate.

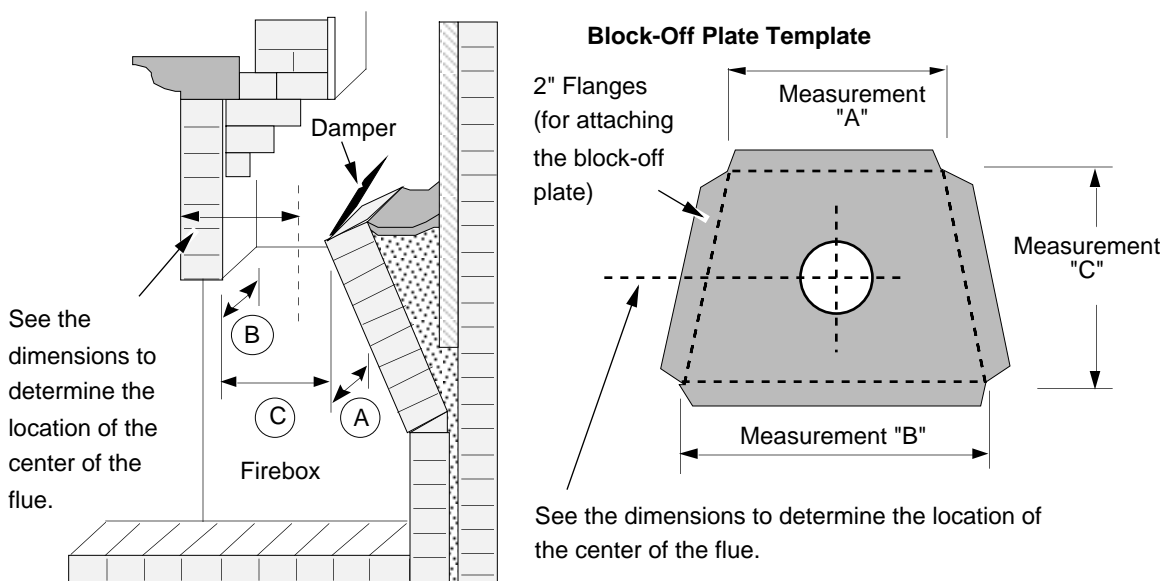


Figure 7

Insert with Positive Connection

NOTE:

REQUIRED IN CANADA

Most factory-built chimney manufacturers make stainless steel chimney liners, either flexible or rigid. This provides a wide variety of installation options. Make sure to follow the manufacturer's instructions for installation and support.

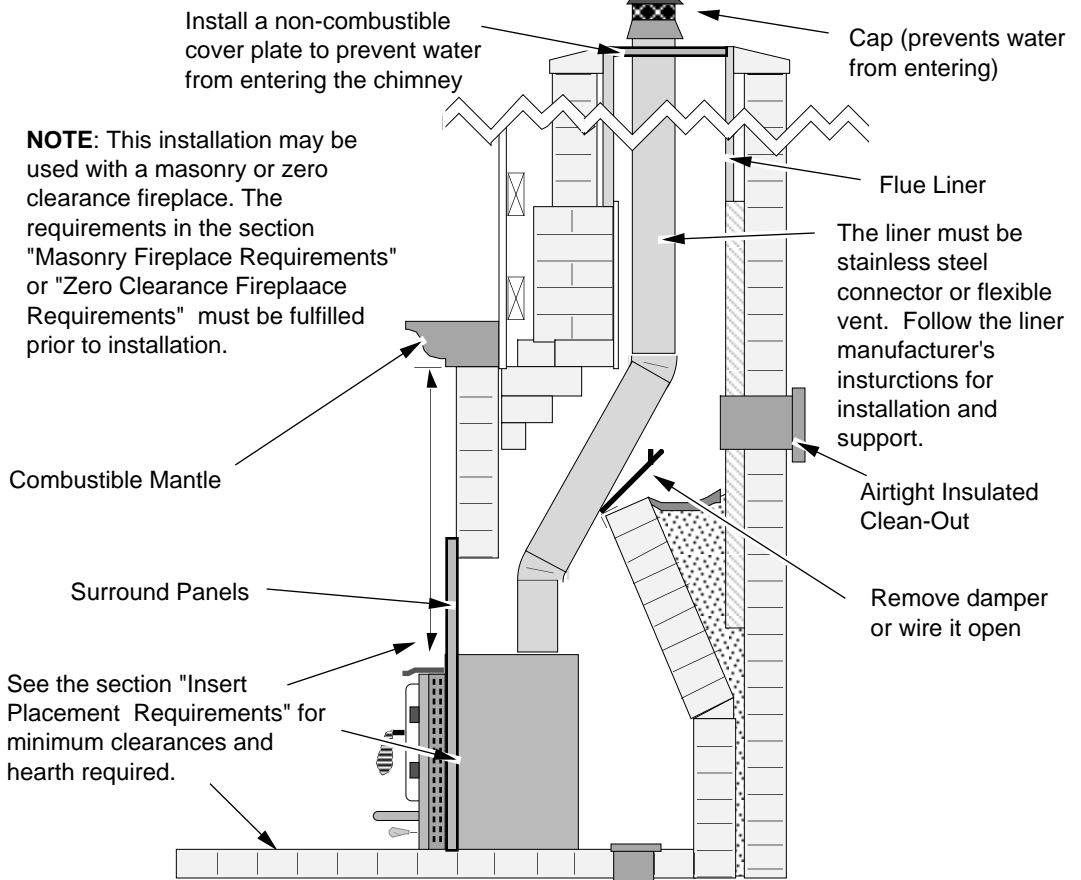


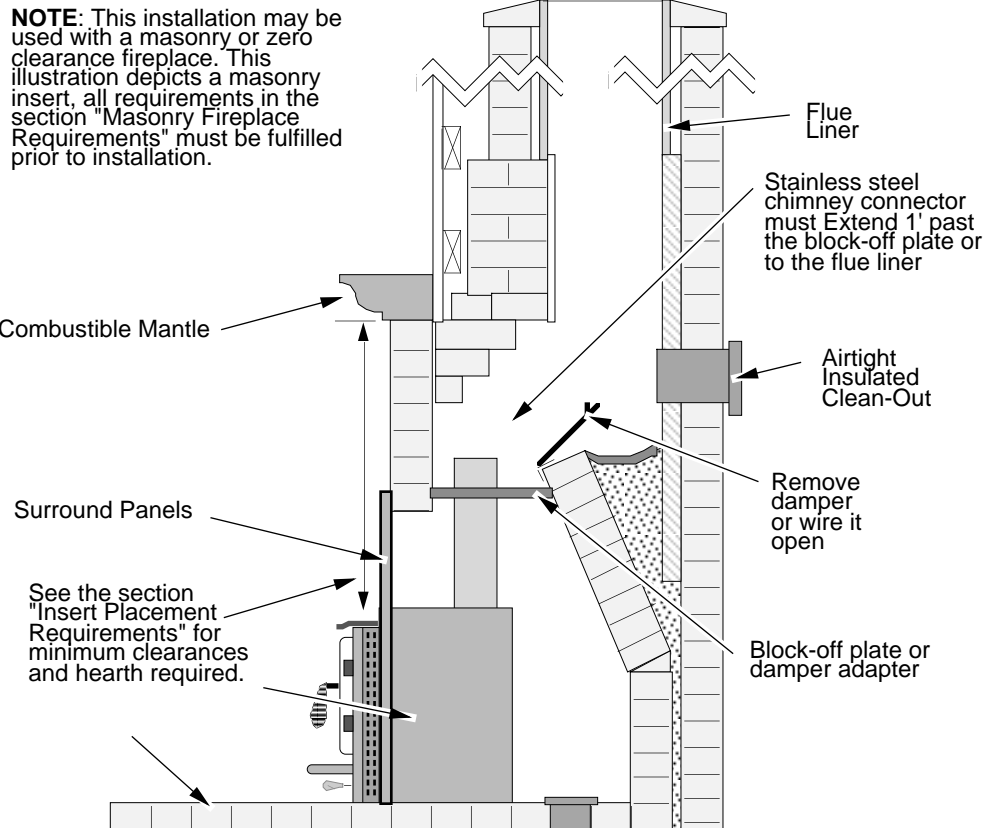
Figure 8

Insert with Direct Connection (Masonry Fireplace)

NOTE:

NOT ALLOWED IN CANADA

Direct connections require installation of an airtight block-off plate or damper adapter (see "Block-off Plate Installation" on page 11).



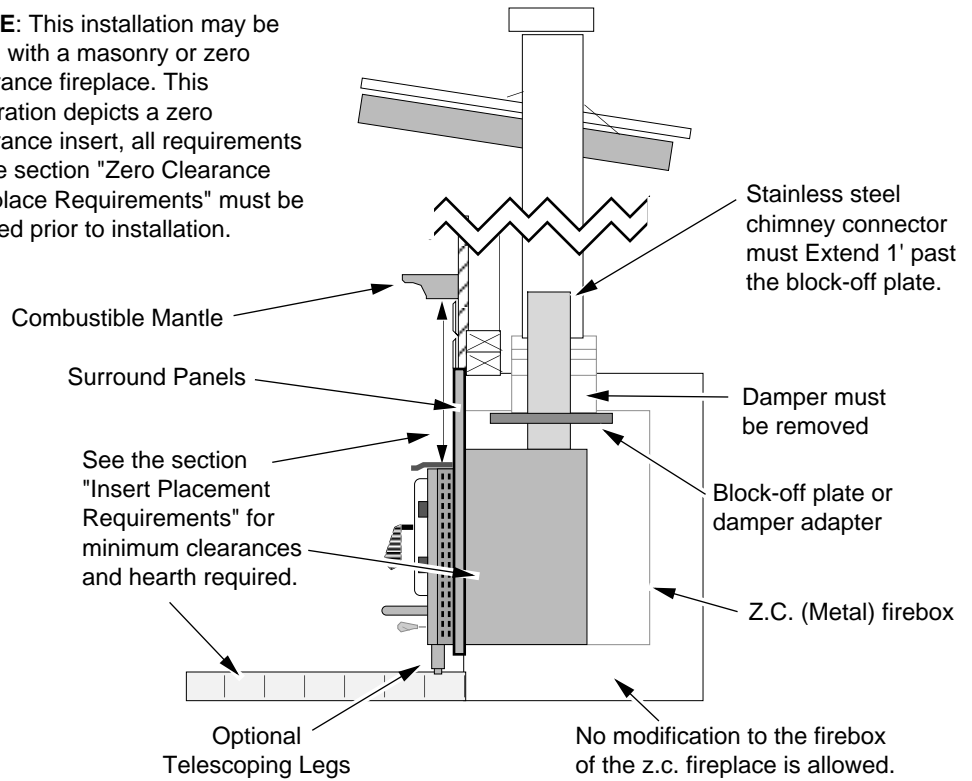
Insert with Direct Connection (Z.C. Fireplace)

NOTE:

NOT ALLOWED IN CANADA

Direct connections require installation of an airtight block-off plate or damper adapter (see "Block-off Plate Installation" on page 11).

NOTE: This installation may be used with a masonry or zero clearance fireplace. This illustration depicts a zero clearance insert, all requirements in the section "Zero Clearance Fireplace Requirements" must be fulfilled prior to installation.



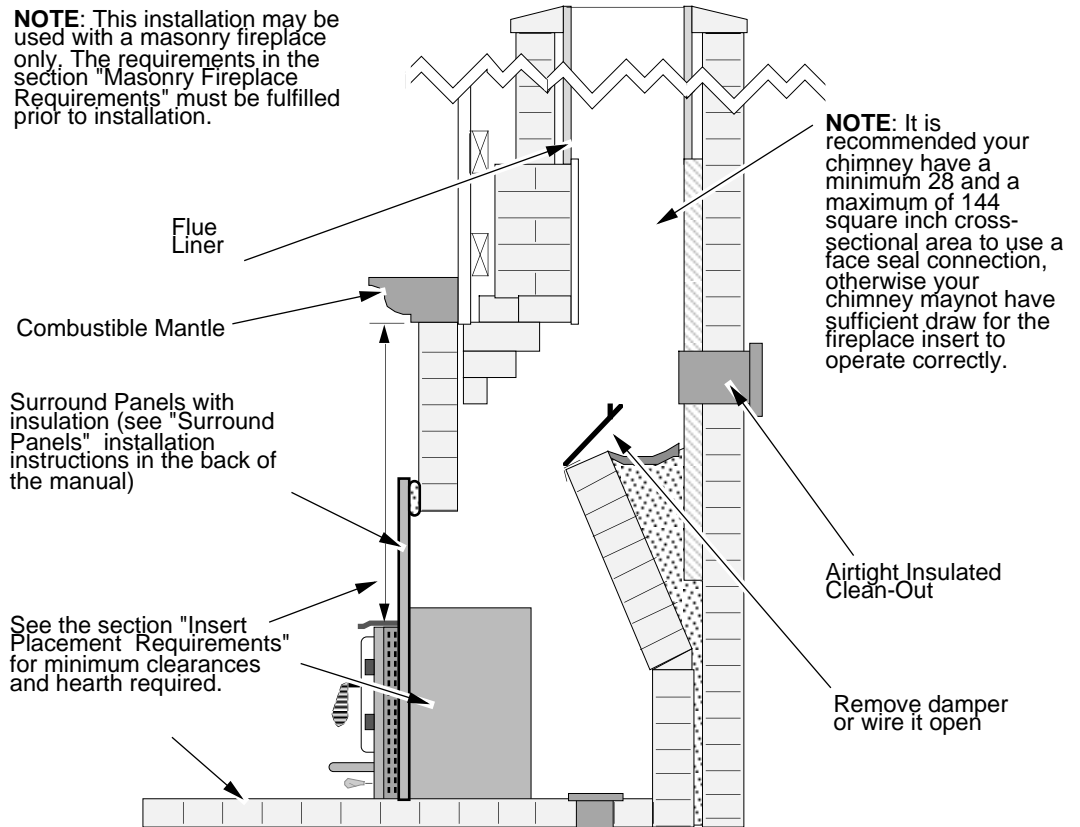
Insert with Face Seal Connection

NOTE:

NOT ALLOWED IN CANADA

Face seal connections require installation of the surround panels and insulation (see the "Surround Panel Installation" on page 32).

NOTE: This installation may be used with a masonry fireplace only. The requirements in the section "Masonry Fireplace Requirements" must be fulfilled prior to installation.



Safety Notice:



If this appliance is not properly installed, a house fire may result. For your safety, follow the installation directions. Contact local building or fire officials about restrictions and installation inspection requirements in your area.



Read and follow all of the warnings on pages 4 and 5 of this manual.

Before Your First Fire

Verify the Installation

Before starting the stove, verify that it is properly installed and all of the requirements in this manual have been followed.



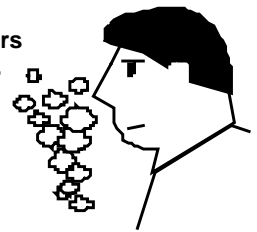
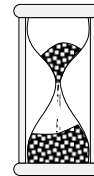
Keep all flammable materials 36" away from the front of the stove (drapes, furniture, clothing, etc.).

Curing the Paint

This heater uses a heat-activated paint that will emit some fumes while starting the first fire. Open doors and windows to the room to vent these fumes. This typically lasts two to four hours. You may also notice oil burning off of the interior of the heater. This rust-stopping agent will soon dissipate.

Door Gasket - The door gasket might adhere to the paint on the front of the heater. Leave the door slightly ajar for the first fire and be careful when opening the door after the first fire.

2 to 4 hours

**Over-Firing the Stove**

This stove was designed to operate at a high temperature. But due to differences in vent configuration, fuel, and draft, this appliance can be operated at an excessive temperature. If the stove top or other area starts to glow red, you are over-firing the stove. Shut the air control down to low and allow the stove to cool before proceeding.



Over-firing may lead to damage of plated surfaces. If you are uncertain of over-firing conditions, we suggest placing a stove thermometer (e.g. Rutland® Model 710) directly over the door on the stove top - temperatures exceeding 800° are generally considered over-firing and will void the warranty.

Opening the Door

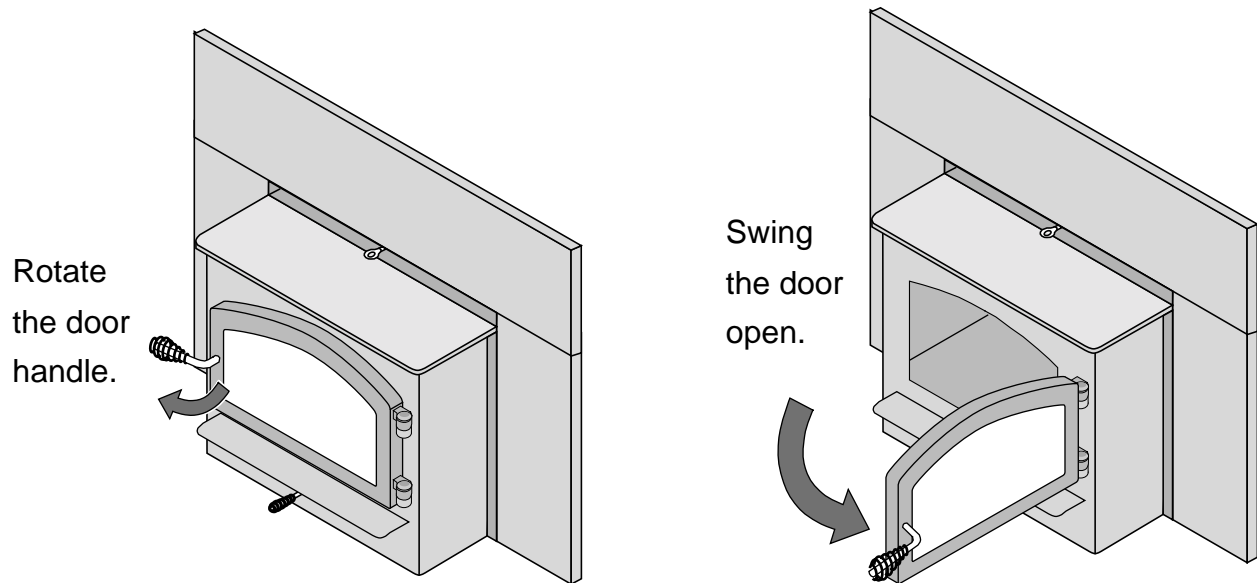


The door becomes hot during use. Use a glove to open the door if the handle is hot.



To prevent smoke from entering the room, open the bypass before opening the door (see following page for directions). You can also open the door a small amount and let air enter the firebox.

Lopi Republic Door

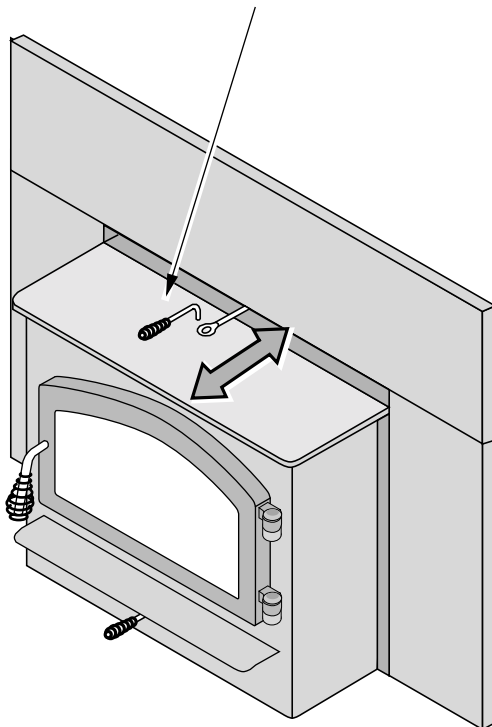


Bypass Operation

The bypass controls the flow of smoke inside the heater. When pulled out, smoke goes directly up the flue, creating more draft. When pushed in, the smoke goes around the baffle, utilizing the secondary combustion and making the heater more efficient.

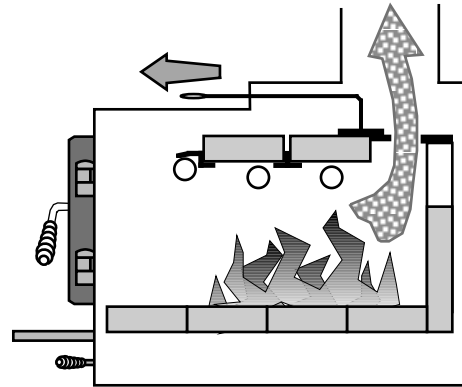
- When starting or re-loading, pull the bypass out.
- During normal operation, push the bypass in.

Use the included pull tool
to operate the bypass rod



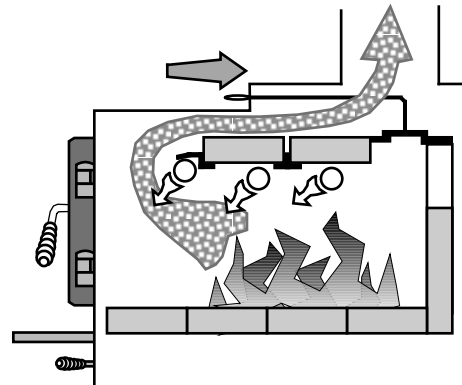
Bypass Pulled Out

Used for starting and re-loading



Bypass Pushed In

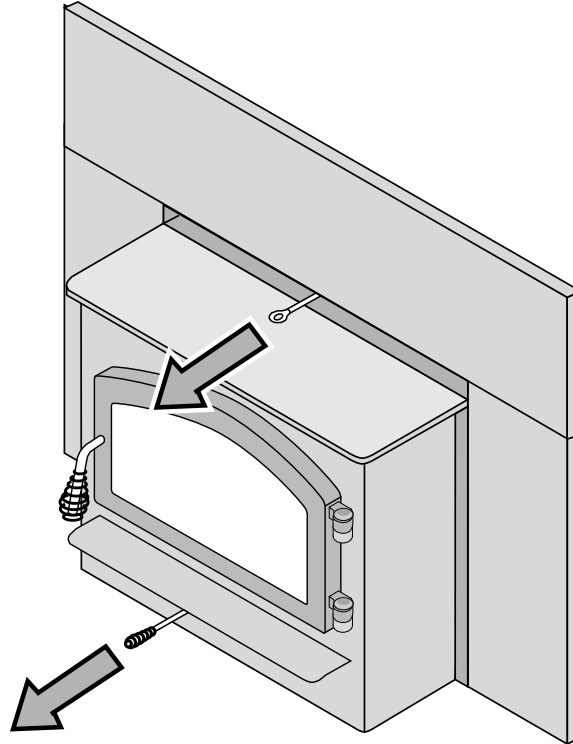
Used for normal operation



Starting a Fire

Since the dawn of time man has debated the best way to start a fire. Some use the boy-scout "tee-pee", some prefer the "tic-tac-toe" stack. Either way, review the hints and warnings below to ensure proper fire starting.

- Make sure the air control and by-pass are pulled out. If additional air is needed, open the doors 1/4" during the first five minutes of start-up.



Never use gasoline, gasoline-type lantern fuel, kerosene, charcoal lighter fluid, or similar liquids to start or "freshen up" a fire in this stove. Keep all such liquids well away from the stove while it is in use.



If using a firestarter, use only products specifically designed for stoves - follow the manufacturer's instructions carefully.



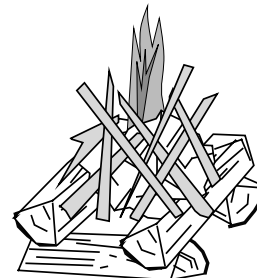
If the smoke does not pass up the chimney, ball up one sheet of newspaper, place it in the center of the firebox and light it. This should start the chimney drafting (this eliminates "cold air blockage").



Use plenty of kindling to ensure the stove reaches a proper temperature. Once the kindling is burning rapidly, place a few larger pieces of wood onto the fire.

Starting a "Top-Down Fire"

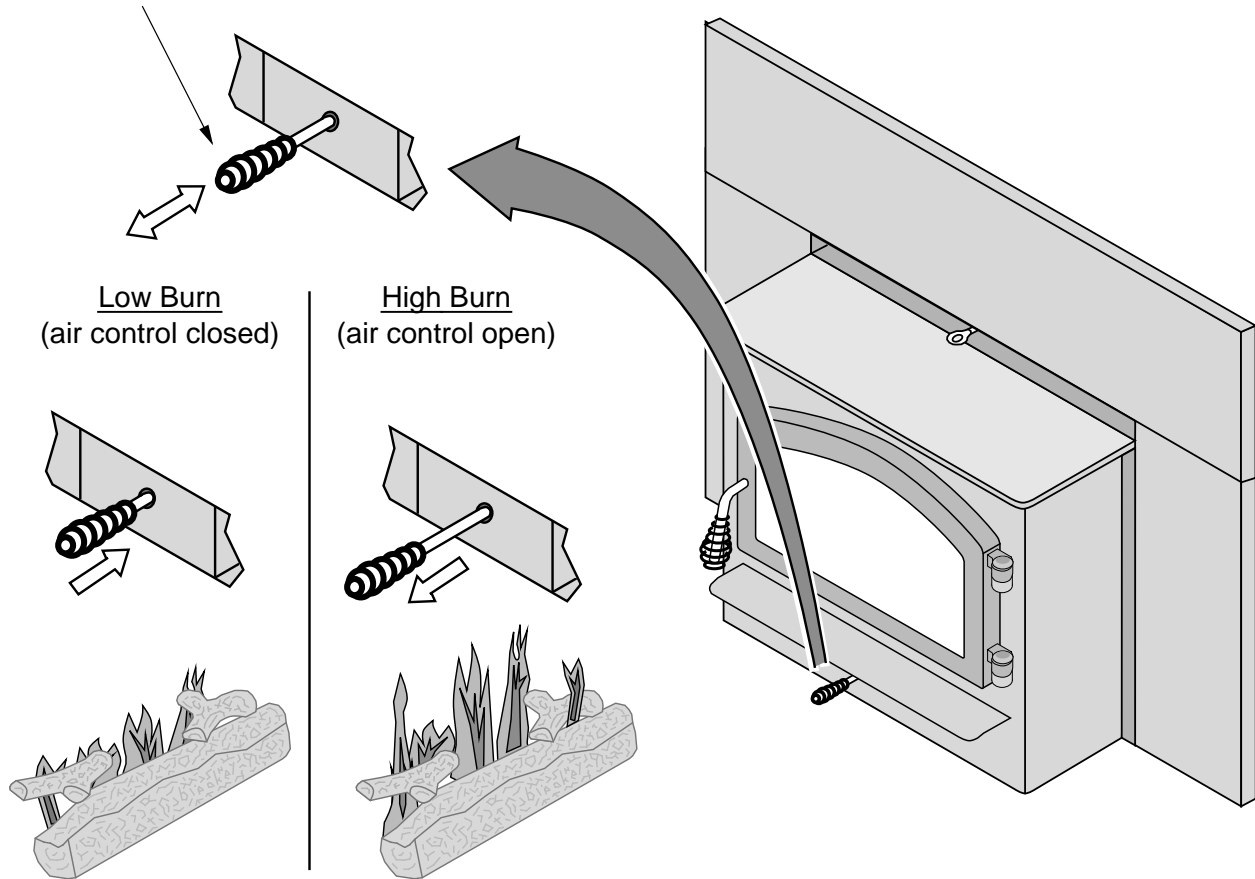
One particularly successful method for starting a fire is to stack several large pieces of wood in the center of the stove (see the illustration to the right). Then place a several wads of newspaper in the center with kindling on top. When you light the newspaper this "top-down" fire will burn its way to the center, igniting the larger pieces. With some practice, this method should work for you.



Adjusting the Burn Rate

Use the air control slider to control the burn rate of the stove. See the illustration below for details.

Use the air control to change the burn rate.



Approximate Air Control Settings:

Overnight Burn	Fully in to 1/8" open
Medium Burn	1/8" to 5/8" open
Medium High Burn	5/8" to fully open
High Burn	Fully open (pulled out)



The air control becomes hot during operation - use gloves or a tool to prevent burns.



The air control may take several minutes to influence the burn rate. When making adjustments, you may wish to let the stove burn for 10 minutes to gauge performance.

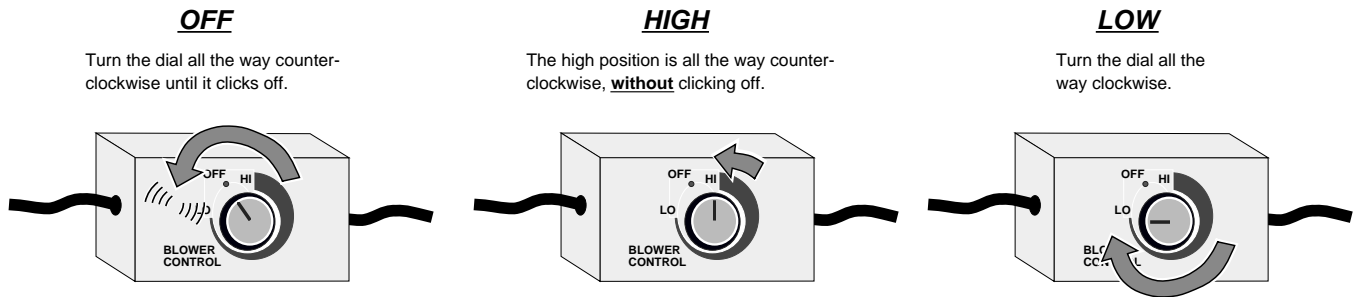
Ash Removal



Ashes should be placed in a metal container with a tight fitting lid. The closed container of ashes should be placed on a noncombustible floor or on the ground, away from all combustible materials, pending final disposal. If the ashes are disposed of by burial in soil or otherwise locally dispersed, they should be retained in the closed container until all cinders have thoroughly cooled.

Optional Blower Operation

The blower will turn on once the stove is up to temperature. This is typically 15 to 30 minutes after starting the fire. Follow the directions below to alter the blower speed.



The blower may be used to affect heat output (i.e.: to reduce heat output, turn the blower down).



Route the power cord in a location where it will not come in contact with the appliance or become hot.

Re-Loading the Stove

Follow the directions below to minimize smoke spillage while re-loading the stove.

- 1 Open the air control all the way (pull it out). Open the bypass (pull it out).
- 2 Open the door slightly. Let the airflow inside the firebox to stabilize before opening the doors fully.
- 3 Load wood onto the fire.

Overnight Burn

This stove is large enough to accommodate burn times up to ten hours. Follow the steps below to achieve an overnight burn.

- 1 Move the air control to high burn and let the stove become hot (burn for approximately 15 minutes).
- 2 Load as much wood as possible. Use large pieces if possible.
- 3 Let the stove burn on high for 15 minutes to keep the stove hot, then turn the air control to low.
- 4 In the morning the stove should still be hot, with embers in the coal bed. Stir the coals and load small pieces of wood to re-ignite the fire, if desired.



Differences in chimney height and draft may lower overall burn times.

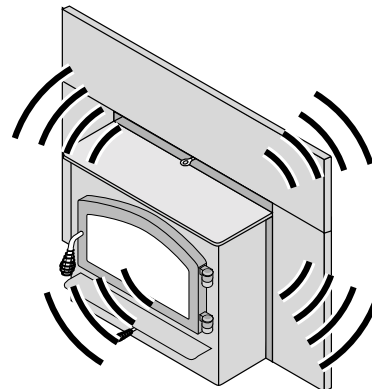
Normal Operating Sounds

Creaks and Clicks:

The 3/16" and 5/16" steel may creak or click when the stove heats up and cools down - this is normal.

Blower Sounds:

The blower will make a slight "hum" as it pushes air through the stove.



Hints for Burning

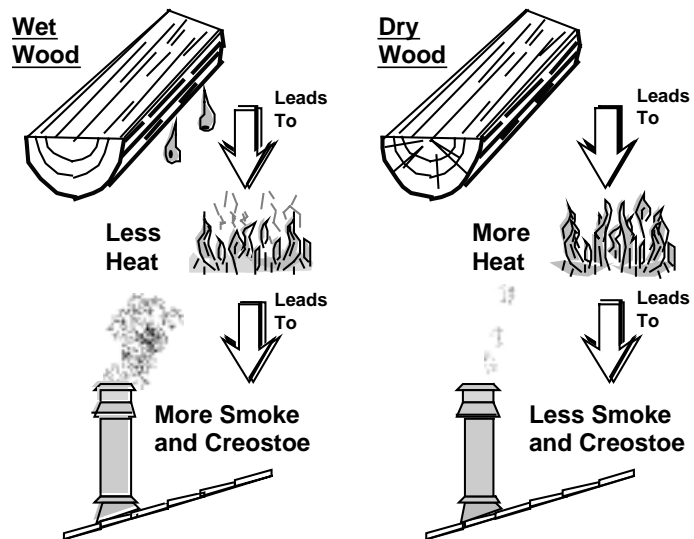
- Get the appliance hot before adjusting to low burn
- Use smaller pieces of wood during start-up and high burns to increase temperature
- Use larger pieces of wood for overnight or sustained burns
- Stack the wood tightly together to establish a longer burn
- Leave a bed of ashes (1/2" deep) to allow for longer burns
- Be considerate of neighbors & the environment: burn dry wood only
- Burn small, intense fires instead of large, slow burning fires when possible
- Learn your appliance's operating characteristics to obtain optimum performance

Selecting Wood

- Dry Wood is Key
- Dry wood burns hot, emits less smoke and creates less creosote.

Testing Wood Moisture

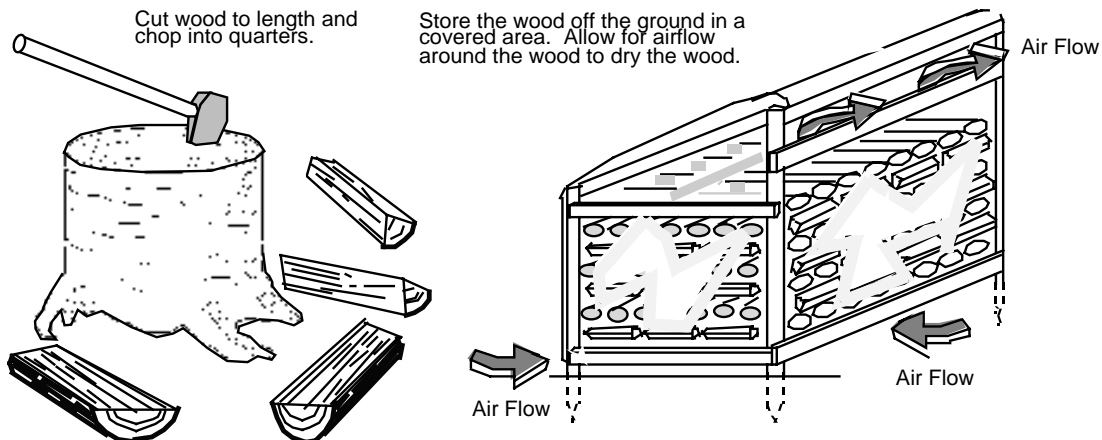
- Split wood stored in a dry area will be fully dry within a year. This insures dry wood. If purchasing wood for immediate use, test the wood with a moisture meter. Some experienced wood burners can measure wood moisture by knocking pieces together and listening for a clear "knock" and not a "thud".



Why Dry Wood is Key

Wet wood, when burned, must release water stored within the wood. This cools the fire, creates creosote, and hampers a complete burn. Ask any experienced wood burner and he or she will agree: dry wood is crucial to good performance.

Wood Cutting and Storage



Troubleshooting

Problem	Possible Cause
<p>Smoke Enters Room During Start-Up</p>	<ul style="list-style-type: none"> • Open the bypass (pg. 16). • Open the air control (pg. 18). • Cold Air Blockage - burn a piece of newspaper to establish a draft. • If the flame is not getting enough air, a small crack in the door is all that is needed.
<p>Kindling Does Not Start - Fire Smolders</p>	<ul style="list-style-type: none"> • Open the bypass (pg. 16). • Open the air control (pg. 18). • Not enough starter paper - use additional newspaper if necessary. • If the flame is not getting enough air, a small crack in the door is all that is needed.
<p>Smoke Enters Room While Re-Loading</p>	<ul style="list-style-type: none"> • Open the bypass before opening the door (pg. 16). • Open the air control before opening the door (pg. 18). • Let the air stabilize before fully opening the door. Then open the door approximately 1 inch. Let air go into the firebox for a few seconds. Once the smoke appears to be flowing up the chimney consistently, open the door. • Insufficient Draft - Chimney height and outside conditions can negatively affect draft. In these cases a small amount of smoke may enter the home. Adding more pipe or a draft-inducing cap may help.
<p>Stove Does Not Burn Hot Enough</p>	<ul style="list-style-type: none"> • Wood is Wet - see the section "Selecting Wood" on page 20 for details on wood. • Make sure the air control is all the way open. Slide the control back and forth to insure the control is not stuck. • Insufficient Draft - Chimney height and outside conditions can negatively affect draft. In these cases the fire may burn slowly. Adding more pipe or a draft-inducing cap may help.
<p>Blower Does Not Run</p>	<ul style="list-style-type: none"> • Stove is Not Up to Temperature - This is normal. The blower will come on when the stove is hot - usually 15 to 30 minutes. • Electricity is Cut to the Blower - Check the household breaker or fuse to make sure it is operable.
<p>Stove Does Not Burn Long Enough</p>	<ul style="list-style-type: none"> • Depending upon wood, draft, and other factors, the burn time may be shorter than stated. Make sure the doors are sealing and not allowing air into the firebox - See the section "Door and Glass Inspection" on page 23 for details. • Check the ash bed for coals. Often, coals are still glowing under a slight bed of flyash. By raking these into a pile you can re-start your stove quickly.



Failure to properly maintain and inspect your appliance may reduce the performance and life of the appliance, void your warranty, and create a fire hazard.

Daily Maintenance (while stove is in use)

Remove Ash (if necessary)

- Ash removal is **not** required once it builds up. 1/2" to 1" of ash may be desirable because it slows the burn rate. Generally, remove ash once it has built up over 1". Follow the directions below to remove ash.

- Let the stove cool completely (at least two hours after the last coal has extinguished).
- Place a cloth or cardboard protector over the hearth to catch ash and protect against scratching.
- Open the doors and scoop the ash into a metal container with a tight fitting lid. The closed container of ashes should be placed on a noncombustible floor or on the ground, away from all combustible materials, pending final disposal.



Improperly disposed ashes lead to fires. Hot ashes placed in cardboard boxes, dumped in back yards, or stored in garages, are recipes for disaster.



Wood-burning stoves are inherently dirty. During cleaning have a vacuum ready to catch spilled ash (make sure ash is entirely extinguished).



There are vacuum cleaners specifically made to remove ash (even if the ash is warm). Contact your dealer for details.

Clean the Glass (if necessary)

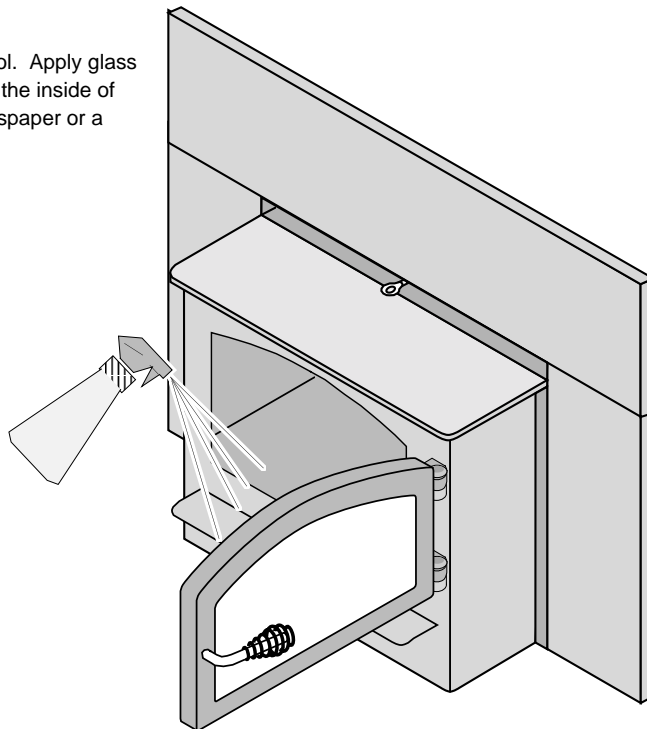
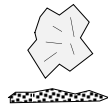
This appliance has an airwash to keep the glass clean. However, burning un-seasoned wood or burning on lower burn rates leads to dirtier glass (especially on the sides). Clean the glass by following the directions below.

Allow the stove to fully cool. Apply glass cleaner or soapy water to the inside of the glass. Wipe with newspaper or a paper towel.



For Stubborn Creosote:

Dip newspaper or a paper towel in cool ashes and wipe it on the glass. The ash acts as a light abrasive.



The glass will develop a very slight haze over time. This is normal and will not affect viewing of the fire.

Monthly Maintenance (while appliance is in use)



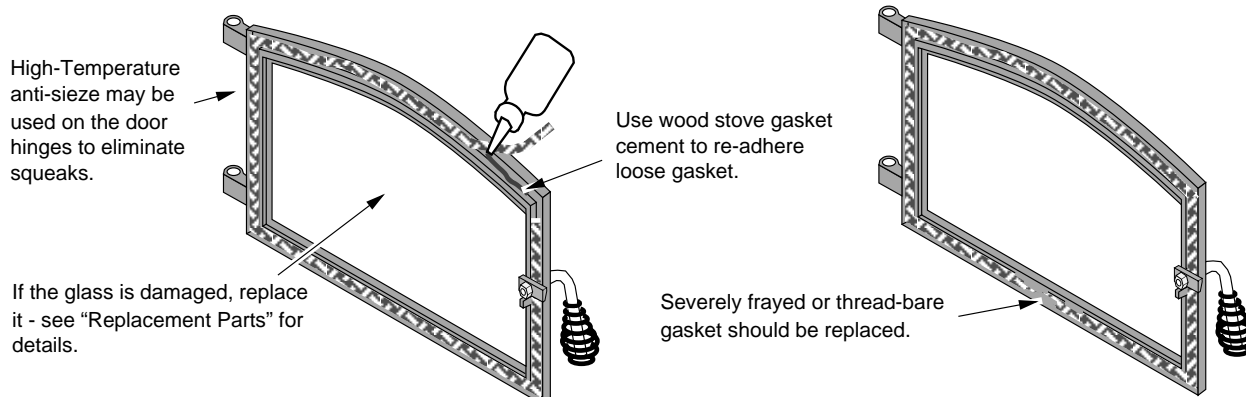
Make sure the appliance has fully cooled prior to conducting service.

Door and Glass Inspection

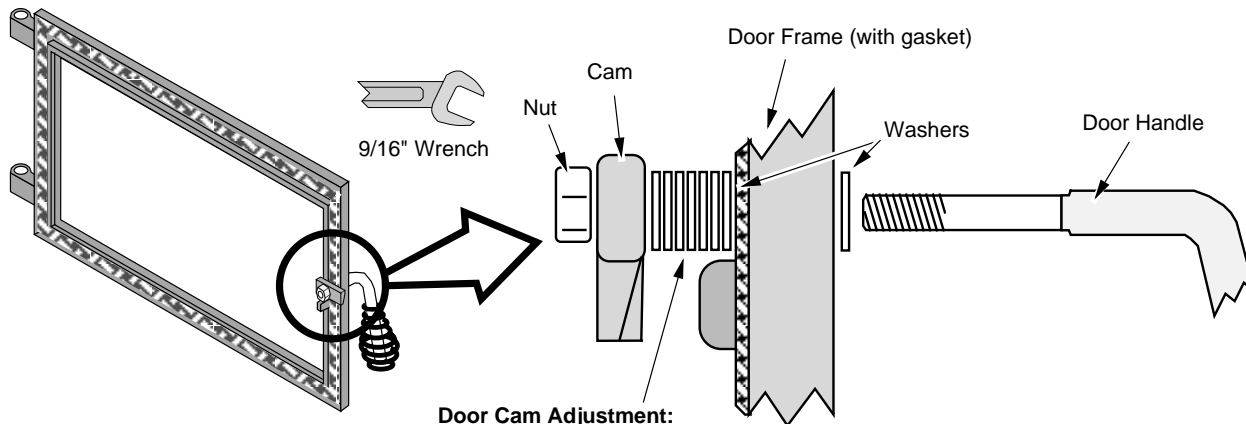
The door must form an air-tight seal to the firebox for the stove to work correctly. Inspect the door gasket to make sure it forms an air-tight seal to the firebox.



The door can be lifted off the hinges if extensive repairs are conducted.



The door latch should pull the door against the face of the stove (but not so tight as to not allow full handle rotation). If the latch requires adjustment, follow the directions below.



Door Cam Adjustment:

To tighten the door cam, remove the door handle and discard one of the washers between the door frame and cam. To loosen the door cam, add a washer between the door frame and cam.

Creosote - Formation and Need for Removal

When wood is burned slowly, it produces tar and other organic vapors, which combine with expelled moisture to form creosote. The creosote vapors condense in the relatively cool chimney flue of a slow-burning fire. As a result, creosote residue accumulates on the flue lining. When ignited, this creosote makes an extremely hot fire. The chimney and chimney connector should be inspected at least once every two months during the heating season to determine if a creosote buildup has occurred. If creosote has accumulated, it should be removed to reduce the risk of a chimney fire.



If you are not certain of creosote inspection, contact your dealer or local chimney sweep for a full inspection. Excess creosote buildup may cause a chimney fire that may result in property damage, injury, or death.

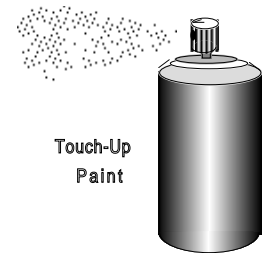
Yearly Maintenance



Make sure the appliance has fully cooled prior to conducting service.

Touch Up Paint

Included with the owner's pack of this appliance is a can of Stove-Brite® paint. To touch up nicks or dulled paint, apply the paint while the appliance is cool. Sand rusted or damaged areas before preparation (use 120 grit sandpaper). Clean and dry the area to prepare the surface. Wait at least one hour before starting the appliance. The touched up area will appear darker than the surrounding paint until it cures from heat. Curing will give off some fumes while curing – open windows to ventilate.

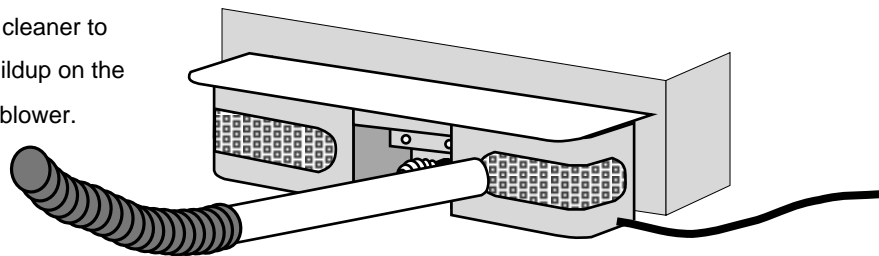


Cleaning the Air Duct and Blower (if applicable)

Use a vacuum to clean the air ducts (channels). This prevents dust from burning and creating odors.

The optional blower should be vacuumed every year to remove any buildup of dust, lint, etc.

Use a vacuum cleaner to remove any buildup on the screens of the blower.



Firebrick and Baffle Inspection

Use the illustration on page 26 as a reference for checking the following items. Make sure the appliance is cool before proceeding.

Baffle Firebricks - check the bricks along the ceiling of the firebox to make sure they are intact and have no gaps between them. Slide the bricks to eliminate any gaps.

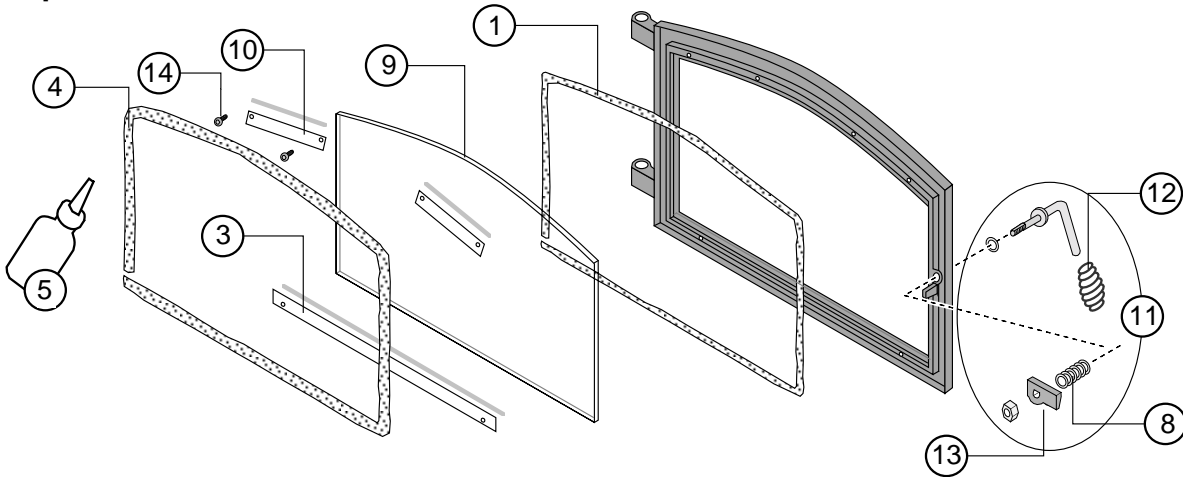
Baffle Supports - make sure the front and back baffle supports are in place and not degraded. Slight scaling or rusting of the metal is normal.

Secondary Air Tubes - Check the two air tubes and collars to make sure they are intact and not severely deteriorated. Slight scaling or rusting of the metal is normal. Make sure the push pins hold the air tubes in place.

Floor and Wall Firebricks - replace any severely damaged firebrick along the side or floor of the firebox.

Door Parts

Lopi Republic Door



ID #	Description	Qty	Part #	ID #	Description	Qty	Part #
1	Glass Gasket	1	250-00173				
3	Glass Clip w Gasket- 3 Hole	2/1	250-00174	4	Door Gasket	1	250-00170
5	RTV High Temp. 600° Silicone						
				8	Door Washer	1	250-00364
9	Lopi Glass	1	250-00172	10	Glass Clip w Gasket- 2 Hole	1	250-00175
11	Lopi Door Handle Asbly	1	250-00171	12	Lopi Door Handle (spring)	1	250-00373
13	Door Cam	1	250-00598	14	Screws (8) 8-32 x 1/2" Torx	1	225-20039

Replacing the Glass



The glass must not contact the door or glass clips directly. The glass gasket and glass clip gaskets insulate the glass to prevent cracking. Do not over-tighten the glass clips.

Place the door front side down. Insert the glass gasket into the groove along the inside perimeter of the door. Place the glass on top of the gasket and secure with the glass clips.

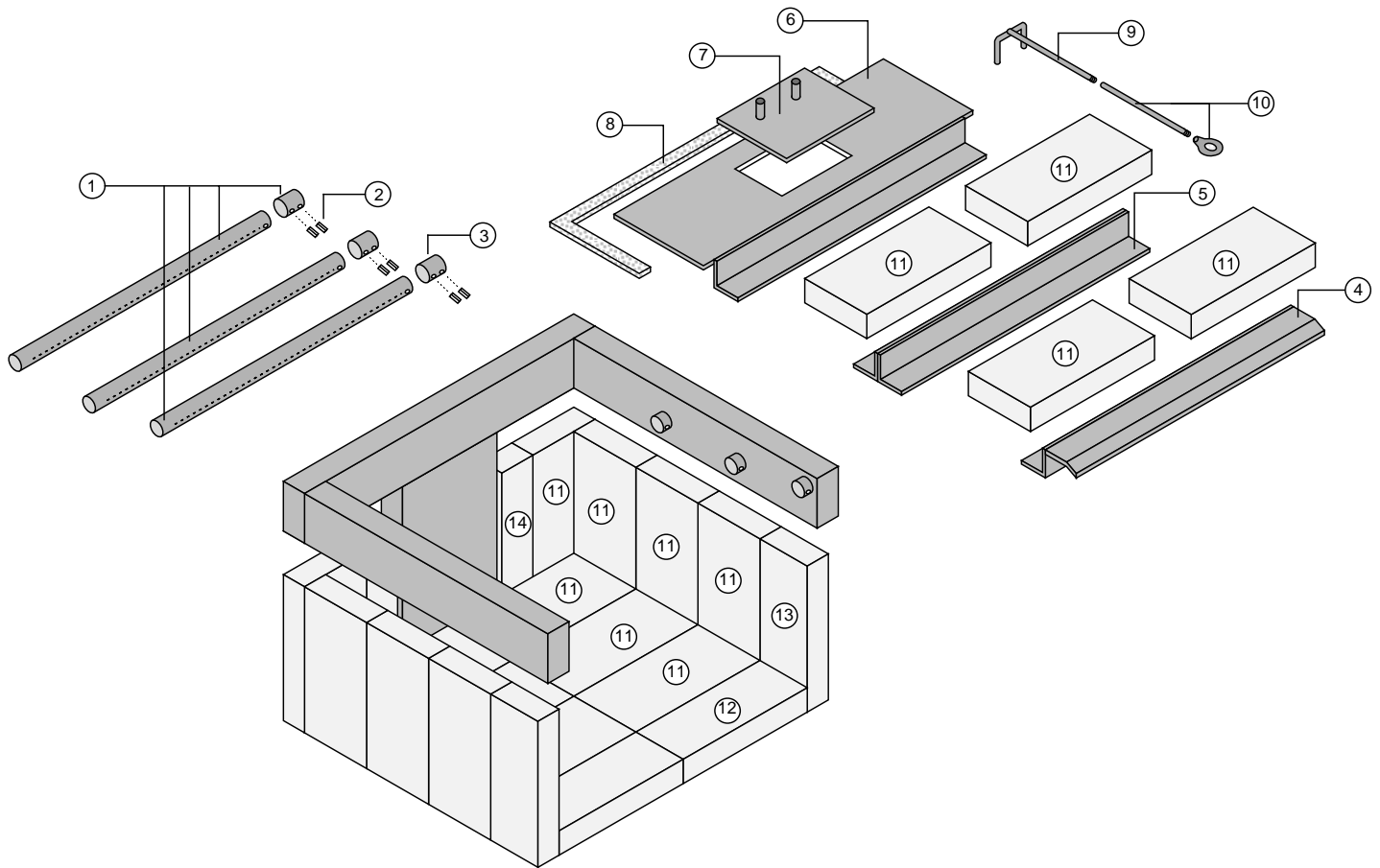
Replacing the Door Gasket

The door gasket inserts into the outer groove of the door and is secured with RTV high-temperature 600° silicone. Before installing, remove any residual silicone. Lay the gasket in place (start at the lower left corner) and cut off any excess gasket (do not stretch the gasket. The cement fully cures with heat from the stove. You may need to open and close the door repeatedly to get the gasket to seat fully.

Replacing the Door Handle

See the illustration above for a component list (see pg. 23 for details on adjusting the door).

Firebox Parts



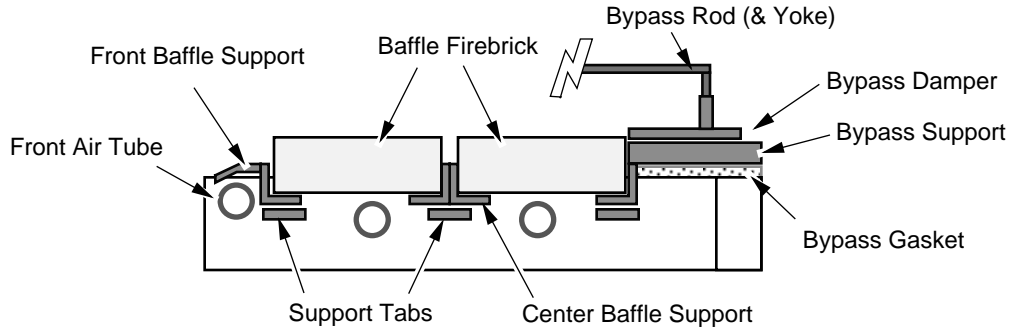
ID #	Description	Qty	Part #	ID #	Description	Qty	Part #
1	Air Tubes & Sleeve	1	98900233	2	Air Tube Roll Pins	6	98900357
3	Air Tube Retainer Sleeve	3	98900356	4	Baffle Support, Front	1	99900251
5	Baffle Support, Rear	1	99900250	6	Damper Plate	1	98900322
7	Damper Slider	1	98900343	8	Gasket, Damper Plate	1	91001701
9	Damper Yoke	1	98900376	10	Damper Extension Rod with Pull Ring	1	98900334
11	Brick - 9" x 4.5" un-cut	18	175-00001 (1) 98900102 (9)	12	Brick, Cut - 9" x 3.5"	2	251-00023
13	Brick, Cut - 9" x 3.687	2	251-00022	14	Brick, Cut - 9" x 2"	2	251-00021

Floor and Side Firebrick Removal & Replacement

Do not pry firebrick - they chip and crack easily. Remove the floor firebricks first. The side firebrick are removed later because they are pinned in place by the floor firebrick. Clean the firebox prior to replacing the firebrick.

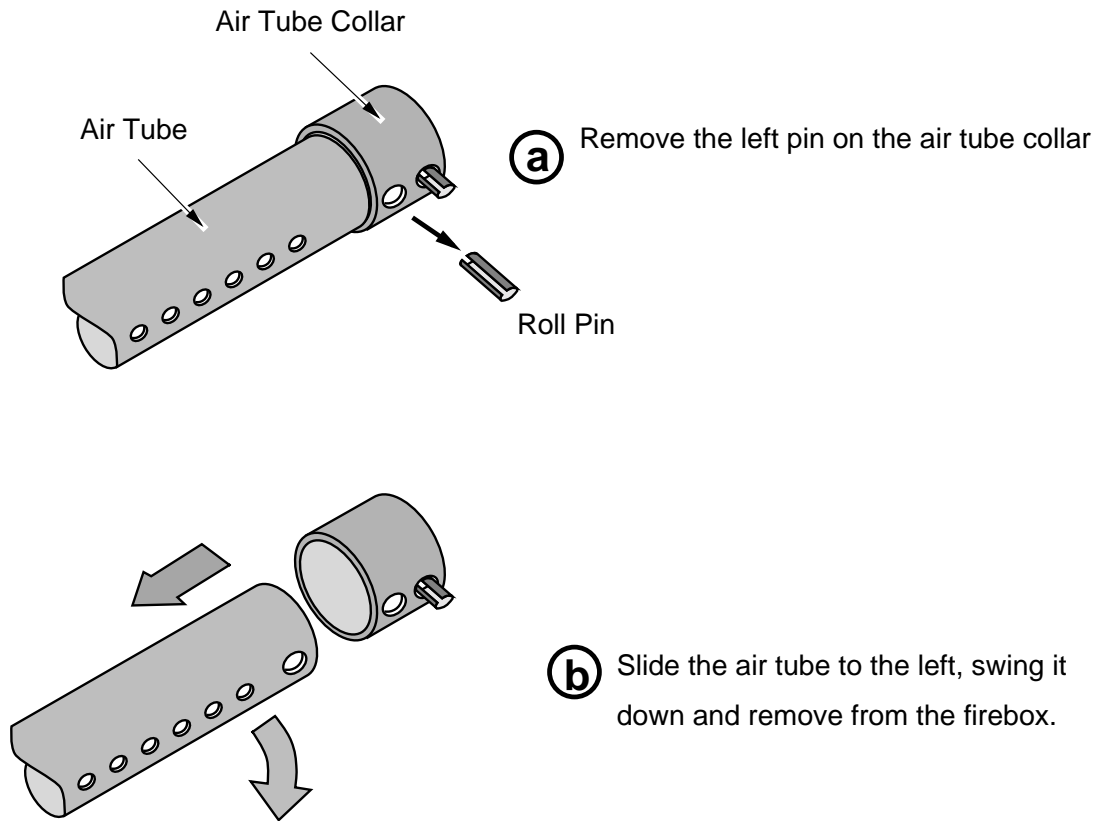
Baffle Removal & Replacement

- 1 Push the front firebricks up and feed them forward, guiding them out the door. Repeat for the rear firebricks.



- 2 The baffle supports rest on support tabs.
- 3 The bypass support and damper are difficult to remove and should only be removed if necessary. Remove the rear secondary air tube (see the following section for instructions). Slide the bypass support forward until the bypass rod can be disconnected from the bypass damper. Slide the damper forward and remove. The bypass support is removed by sliding it forward and rotating it downwards (the bypass holder fits very snug inside the firebox and is very heavy, making it difficult to remove). The bypass gasket rests on the side and rear air channels. Try not to damage it when removing the bypass holder.

Air Tube Removal & Replacement



To register your TRAVIS INDUSTRIES, INC. 5 Year Warranty, complete the enclosed warranty card and mail it within ten (10) days of the appliance purchase date to: TRAVIS INDUSTRIES, INC., 4800 Harbour Pointe Blvd. SW, Mukilteo, WA 98275. TRAVIS INDUSTRIES, INC. warrants this appliance (appliance is defined as the equipment manufactured by Travis Industries, Inc.) to be defect-free in material and workmanship to the original purchaser from the date of purchase as follows:

Check with your dealer in advance for any costs to you when arranging a warranty call. Mileage or service charges are not covered by this warranty. This charge can vary from store to store.

Years 1 & 2 - COVERAGE: PARTS & LABOR

- Firebox Assembly:
Firebox, Baffle Supports, Air Tubes, Air Channels, Convection Chamber
- Door Assembly:
Cast Door, Latch Assembly, Glass Retainers
- Air Control Assembly
Slider Plate, Pressure Plate
- Ceramic Glass
Glass (breakage from thermal shock)
- 8 Firebrick
Breakage from thermal shock
- 1 Accessories
Legs, Pedestal, Blower
- 1 Re-Installation Allowance
In cases where heater must be removed from home for repairs, a partial cost of re-installation is covered (pre-authorization required)
- 3 One-Way Freight Allowance
One-way freight allowance on pre-authorized repair done at factory is covered.

Exclusions: Paint, Gasketing

Years 3 THROUGH 5 - COVERAGE: PARTS & LABOR

- Firebox Assembly:
Firebox, Baffle Supports, Air Tubes, Air Channels, Convection Chamber
- Air Control Assembly
Slider Plate, Pressure Plate
- Door Assembly:
Cast Door, Latch Assembly, Glass Retainers
- One-Way Freight Allowance
One-way freight allowance on pre-authorized repair done at factory is covered.

Exclusions: Paint, Gasketing, Accessories (Legs, Pedestal, Panels, Blower), Glass, Firebrick, Re-Installation Allowance

CONDITIONS & EXCLUSIONS

1. This new appliance must be installed by a qualified installer. It must be installed, operated, and maintained at all times in accordance with the instructions in the Owner's Manual. Any alteration, willful abuse, accident, neglect, or misuse of the product shall nullify this warranty.
2. This warranty is nontransferable, and is made to the ORIGINAL purchaser, provided that the purchase was made through an authorized Travis dealer.
3. Discoloration and some minor expansion, contraction, or movement of certain parts and resulting noise, is normal and not a defect and, therefore, not covered under warranty.
4. This warranty does not cover misuse of the stove. Misuse includes over-firing (operation where the connector or stove may glow red) of this appliance can cause serious damage and will nullify this warranty. Misuse includes use of salt saturated wood, chemically treated wood, or any fuel not recommended in the manual.
5. Damage to the stove due to improper break-in procedures (see manual for proper break in).
6. The salt air environment of coastal areas or a high humidity environment can be corrosive to the castings. These conditions can be corrosive and can cause the cast iron to rust. This warranty does not cover any damage caused by a salt air or high humidity environment.
7. Damage to the appliance while it is in transit is not covered by this warranty, but is subject to a claim against the common carrier.
8. The warranty, as outlined within this document, does not apply to the chimney components or other Non-Travis accessories used in conjunction with the installation of this product. If in doubt as to the extent of this warranty, contact your authorized Travis retailer before installation.
9. Travis Industries will not be responsible for inadequate performance caused by environmental conditions such as nearby trees, buildings, roof tops, wind, hills or mountains or negative pressure or other influences from mechanical systems such as furnaces, fans, clothes dryers, etc.
10. This Warranty is void if:
 - a. The appliance has been operated in atmospheres contaminated by chlorine, fluorine or other damaging chemicals.
 - b. The appliance is subject to submersion in water or prolonged periods of dampness or condensation.
 - c. Any damage to the appliance, combustion chamber, heat exchanger or other components due to water, or weather damage which is the result of, but not limited to, improper chimney/venting installation.
11. Exclusions to this 5 Year Warranty include: injury, loss of use, damage, failure to function due to accident, negligence, misuse, improper installation, alteration or adjustment of the manufacturer's settings of components, lack of proper and regular maintenance, damage incurred while the appliance is in transit, alteration, or act of God.
12. This 5 Year warranty excludes damage caused by normal wear and tear, such as paint discoloration or chipping, worn or torn gasketing, chipped or cracked firebrick, etc. Also excluded is damage to the appliance caused by abuse, improper installation, modification of the appliance, or the use of fuel other than that for which the appliance is configured (use cord wood only).
13. Damage to brass or plated surfaces caused by fingerprints, scratches, melted items, or other external sources left on the surfaces from the use of abrasive cleaners is not covered in this warranty. Damage to the surfaces from over-firing (operation where the steel may glow red) is not covered in this warranty.
14. TRAVIS INDUSTRIES, INC. is free of liability for any damages caused by the appliance, as well as inconvenience expenses and materials. Incidental or consequential damages are not covered by this warranty. In some states, the exclusion of incidental or consequential damage may not apply.
15. This warranty does not cover any loss or damage incurred by the use or removal of any component or apparatus to or from the Travis appliance without the express written permission of TRAVIS INDUSTRIES, INC. and bearing a TRAVIS INDUSTRIES, INC. label of approval. This warranty does not cover a stove repaired by someone other than a Travis Industries authorized dealer.
16. Any statement or representation of Travis products and their performance contained in Travis advertising, packaging literature, or printed material is not part of this 5 year warranty.
17. This warranty is automatically voided if the appliance's serial number has been removed or altered in any way. If the appliance is used for commercial purposes, it is excluded from this warranty.
18. No dealer, distributor, or similar person has the authority to represent or warrant Travis products beyond the terms contained within this warranty. TRAVIS INDUSTRIES, INC. assumes no liability for such warranties or representations.
19. Travis Industries will not cover the cost of the removal or re-installation of hearths, facing, mantels, venting or other components.
20. If for any reason any section of this warranty is declared invalid, the balance of the warranty remains in effect and all other clauses shall remain in effect.
21. This 5 year warranty is the only warranty supplied by Travis Industries, Inc., the manufacturer of the appliance. All other warranties, whether express or implied, are hereby expressly disclaimed and purchaser's recourse is expressly limited to the warranties set forth herein.

IF WARRANTY SERVICE IS NEEDED:

1. If you discover a problem that you believe is covered by this warranty, you MUST REPORT it to your Travis dealer WITHIN 30 DAYS, giving them proof of purchase, the purchase date, and the model name and serial number.
2. Travis Industries has the option of either repairing or replacing the defective component.
3. If your dealer is unable to repair your appliance's defect, he may process a warranty claim through TRAVIS INDUSTRIES, INC., including the name of the dealership where you purchased the appliance, a copy of your receipt showing the date of the appliance's purchase, and the serial number on your appliance. At that time, you may be asked to ship your appliance, freight charges prepaid, to TRAVIS INDUSTRIES, INC. TRAVIS INDUSTRIES, INC., at its option, will repair or replace, free of charge, your appliance if it is found to be defective in material or workmanship within the time frame stated within this 5 year warranty. TRAVIS INDUSTRIES, INC. will return your appliance, freight charges (years 1 to 3) prepaid by TRAVIS INDUSTRIES, INC., to your regional distributor, or dealership.
4. Check with your dealer in advance for any costs to you when arranging a warranty call. Mileage or service charges are not covered by this warranty. This charge can vary from store to store.
5. Any appliance or part thereof that is repaired or replaced during the limited warranty period will be warranted under the terms of the limited warranty for a period not to exceed the remaining term of the original limited warranty or six(6) months, whichever is longer.

Listing Label



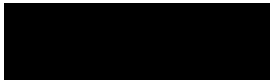
CAUTION: HOT WHILE IN OPERATION. DO NOT TOUCH. KEEP CHILDREN, CLOTHING AND FURNITURE AWAY. CONTACT MAY CAUSE SKIN BURNS. SEE NAMEPLATE AND INSTRUCTIONS. DO NOT OVERFIRE. IF HEATER OR CHIMNEY CONNECTOR GLOWS, YOU ARE OVERFIRING. INSPECT AND CLEAN CHIMNEY AND CONNECTOR FREQUENTLY. UNDER CERTAIN CONDITIONS OF USE, CREOSOTE BUILDUP MAY OCCUR RAPIDLY. DO NOT USE GRATE OR ELEVATE FIRE. BUILD WOOD FIRE DIRECTLY ON HEARTH. OPERATE ONLY WITH FIREBRICK IN PLACE. OPERATE ONLY WITH DOOR CLOSED. OPEN FEED DOORS TO FEED FIRE ONLY. USE OF OTHER FUELS MAY DAMAGE THE HEATER AND CREATE A HAZARDOUS CONDITION. TYPE OF FUEL: SOLID WOOD ONLY.

CONTACT YOUR LOCAL BUILDING OR FIRE OFFICIALS ABOUT RESTRICTIONS AND INSTALLATION INSPECTION IN YOUR AREA



MODEL: 1750 INSERT

SERIAL NO:



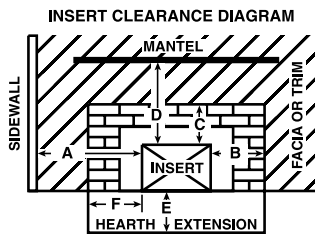
Listed Fireplace Insert for installation into a Factory-Built (Z.C.) fireplace or masonry fireplace
WARNING - DO NOT REMOVE THIS LABEL

A representative product sample of this model stove has been tested to meet UL 1482 Standards for safety. For use with solid wood fuels only. Install and use only in accordance with the manufacturers installation and operation instructions. Check all local building codes. DO NOT ELEVATE FIRE. Build fires directly on the firebrick. Install with or without a direct flue connector pipe in a MASONRY FIREPLACE with facing shroud plates.

Factory-Built (Z.C.) Fireplace installations require a minimum 24" starter section directly connected to the fireplace chimney or a full re-line. Factory-Built (Z.C.) Fireplace chimney must have a minimum cross-sectional area of 28.85". The Factory-Built (Z.C.) Fireplace damper and control must be removed, or secured in the open position. For minimum Factory-Built (Z.C.) Fireplace firebox size, see manufacturer's installation instructions. Factory-Built (Z.C.) Fireplace floor protection must be 3/8" minimum non-combustible material or equivalent, extending 16" in front of insert and 8" to both sides. A metal deflector plate must be installed if the flue collar is not completely behind the Lintel plate of the Factory-Built (Z.C.) Fireplace openings.

Inspect and clean chimney frequently. Under certain conditions of use, creosote buildup may occur rapidly. DO NOT OVERFIRE. If heater glows, you are overfiring. Do not remove bricks or mortar from masonry fireplace. OPEN DAMPER BEFORE OPENING LOADING DOORS! Maintain 36" front clearance to all furnishings and other combustible materials.

CLEARANCE TO COMBUSTIBLES, MASONRY FIREPLACE INSTALLATION



Note: Replace glass only with 5mm Travis ceramic glass.

OPTIONAL 125 CFM BLOWER PACKAGE

Minimum Clearance to Combustibles and Hearth Requirements	Masonry Fireplace Installations	Factory-Built (Z.C.) Fireplace Installations
A.	15" (381mm)	30" (762mm)
B.	13" (330mm)	12" (305mm)
C.	28.5" (724mm)	12" (305mm)
With Shield	20.5" (521mm)	N/A
D.	30.5" (775mm)	24" (610mm)
With Shield	22.5" (572mm)	N/A
E.	16" (406mm) US 18" (457mm) Can	16" (406mm) US 18" (457mm) Can
F.	8" (203mm)	8" (203mm)

Electrical Rating:
Volts-115 Watts-21.4 Amps-1.8 HZ-60

Manufactured By:
Travis Industries, Inc.
4800 Harbour Pointe Blvd, SW
Mukilteo, WA 98275
www.travisproducts.com

U.S. ENVIRONMENTAL
PROTECTION AGENCY

Certified to comply with July 1990
particulate emission standards.

Date of Manufacture

2009 2010 2011 Jan. Feb. Mar. Apr. May June July Aug. Sept. Oct. Nov. Dec.



0835 (IGN)

Surround Panels

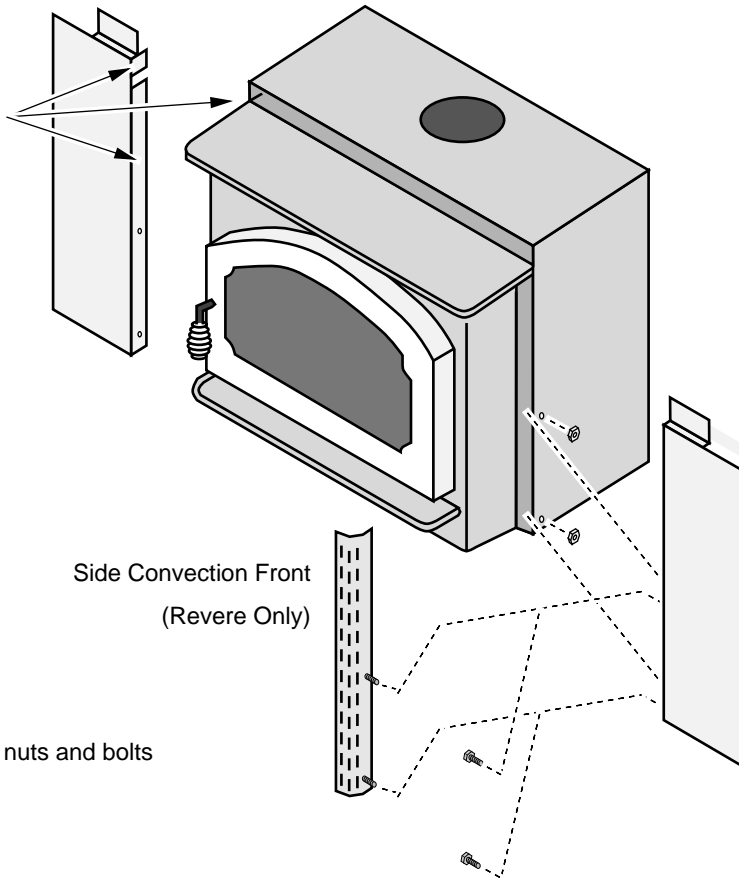
Rectangular Panels:

SURROUND PANEL SIZE	HEIGHT	WIDTH
8"	27 5/8"	40 3/8 "
10"	29 5/8"	44 3/8 "
12"	31 5/8"	48 3/8 "

Installation Instructions

1. With the insert 12" from the fireplace, install the side surround panels (see the directions below).

NOTE: These flanges on the side panels insert into the convection channel.



1750

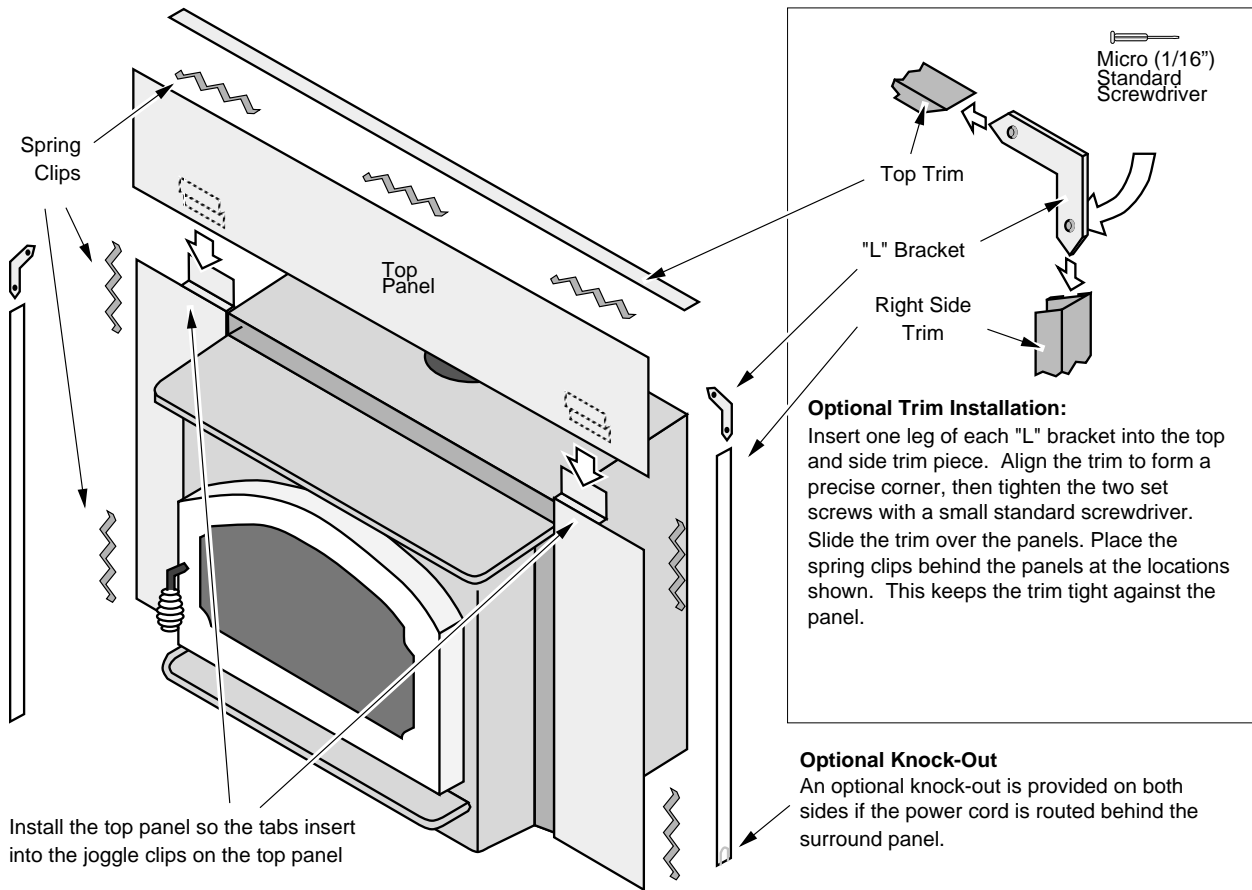
Attach the side panels using the nuts and bolts included with the stove.

REVERSE

Attach the side panels using the studs on the side convection fronts and the nuts included with the stove.

2. Adjust the position of the side panels so they are: 1) flush with the bottom of the insert; 2) both the same distance back from the front of the insert; 3) perpendicular to the floor (use the top panel, if necessary, to judge alignment). Tighten the screws that hold the side panels in place.

- Place the insert into the fireplace and connect the flue (if using a positive or direct connection). Install the top panel and trim following the directions below.



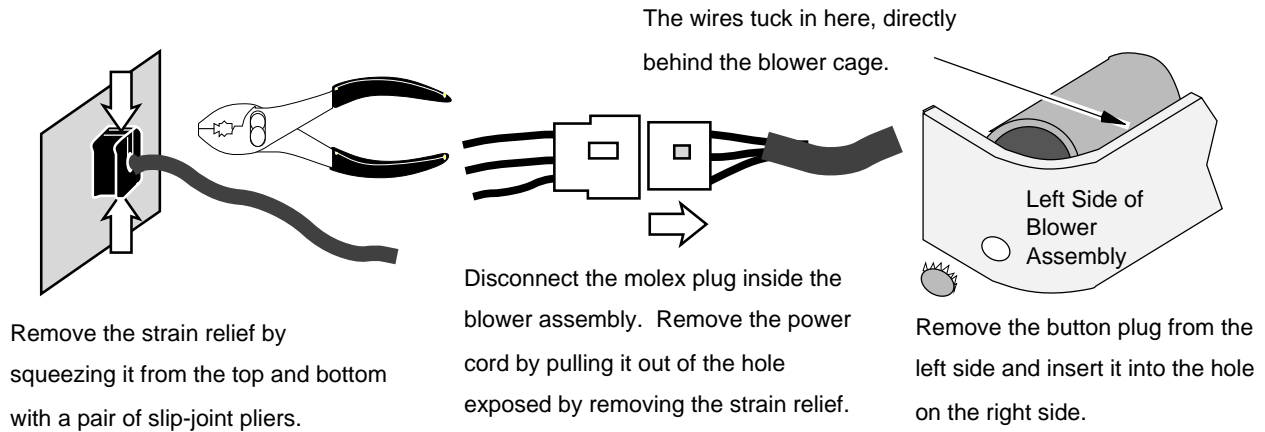
Insulation Installation (required only for face seal installations)

- With the insert drawn 6" from the fireplace, glue the insulation strip included with the insert to the back of the panels using RTV silicon or stove gasket cement. The insulation should be installed so it overlaps the fireplace opening to form a seal between the panels and the fireplace face. Let the silicon or cement dry.
- Push the insert into the fireplace, allowing the insulation to form a seal between the panels and the fireplace. Use a screwdriver to tuck any exposed insulation behind the panels.

Front Blower (part # 99000128)

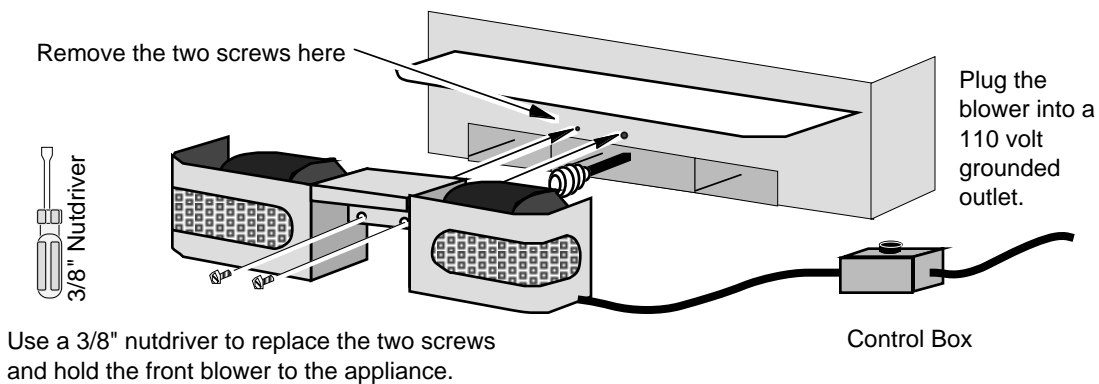
To Switch The Power Cord To The Left Side:

Use a pair of pliers to disconnect the strain relief which holds the power cord in place. With the power cord slackened, the moxex connectors that attach the power cord to the blower assembly may be disconnected. Pry the button plug from the left side of the blower assembly and insert it into the hole on the right side. Pull the left side moxex connector out from behind the deflection plate and cut the nylon tie that holds the wire back. Insert the moxex connector on the power cord through the hole on the left side of the blower assembly and attach it to the left side moxex connector. Route the wire directly behind the blower cage. Place the strain relief over the power cord (it should be in the same location on the power cord that it was before – approximately 2" from where the wires split). Insert the strain relief into the hole on the left side until the strain relief locks in place. Make sure the power cord, wires, or moxex assembly do not protrude into the opening of the blower.



Installation Instructions

1. Remove the two screws above the air control and beneath the ashlip. Place the blower assembly underneath the ashlip and replace removed the two screws. Before tightening the screws with a 3/8" nutdriver, lift the blower up so it tucks underneath the ashlip.



2. Plug the power cord running from the control box into a grounded 110 volt electrical outlet.

Air Control (Burn Rate)	18	Opening the Door	14
Air Tube Part Number	26	Operation	14
Air Tube Removal & Replacement	27	Over-Firing the Stove	14
Ash Disposal	22	Overnight Burn	19
Baffle Parts	26	Paint (Touch-Up Paint)	24
Baffle Removal and Replacement	27	Paint Curing	14
Blower Cleaning	24	Re-Loading the Stove	19
Blower Does Not Run (Troubleshooting)	21	Safety Label	30
Blower Installation	33	Safety Precautions	4
Blower Operation (optional)	19	Smell	14
Burn Rate	18	Smoke Enters Room (Troubleshooting)	21
Chimney Cleaning	23	Sounds (Normal Operating Sounds)	19
Chimney Inspection (Creosote)	23	Starting a Fire	17
Cleaning the Ash	22	Stove Does Not Burn Long Enough	21
Cleaning the Glass	22	Stove is Not Hot Enough (Troubleshooting)	21
Clearances	8	Table of Contents	3
Creosote Check	23	Touch-Up Paint	24
Daily Maintenance	22	Troubleshooting (Operation)	21
Dimensions	6	Warranty Card	2
Door and Glass Inspection	23	Warranty	28
Door Assembly	25	Wood	20
Door Gasket Replacement	25	Yearly Maintenance	24
Door Handle Replacement	25		
Door Opening	14		
Door Parts	25		
Draft Performance	10		
Emissions	6		
EPA Approval	6		
Features	6		
Fire Starting	17		
Firebox Assembly	26		
Firebox Parts	26		
Firebrick and Baffle Inspection	24		
Firebrick Removal & Replacement	26		
Floor Protection Requirements (Hearth)	8		
Glass Cleaning	22		
Glass Replacement	25		
Hearth (Floor Protection)	8		
Heating Specifications	6		
Hints for Burning	20		
Installation (planning)	7		
Installation Options	6		
Installation	7		
Listing Label	30		
Maintenance	22		
Masonry Fireplace	9		
Monthly Maintenance	23		
Noise (Normal Operating Sounds)	19		